

PARANCHI ELETTRICI A CATENA
Componenti e ricambi "2009"

ELECTRIC CHAIN HOISTS
Components and spare parts "2009"

PALANS ELECTRIQUES A CHAIN
Composants et pieces détachées "2009"

INDICE**• PARANCHI SERIE DMK**

- Componenti /ricambi

• CARRELLI SERIE DMT

- Componenti/ricambi

• ACCESSORI**• SCHEMA COLLEGAMENTI****• SETS****• DENOMINAZIONE****• CODIFICA****CONTENTS****• HOISTS SERIES DMK**

- Components/spare parts

• TROLLEYS SERIES DMT

- Components/spare parts

• ACCESSORIES**• INTERCONNECTION DIAGRAM****• SETS****• DENOMINATION****• CODES****INDEX****• PALANS SERIE DMK**

- Composants/pièces détachées

da 2 a 6

• CHARIOTS SERIE DMT

- Composants/pièces détachées

da 7 a 13

• ACCESSOIRES

14

• SCHEMA DE RACCORDMENT

da 15 a 20

• SETS

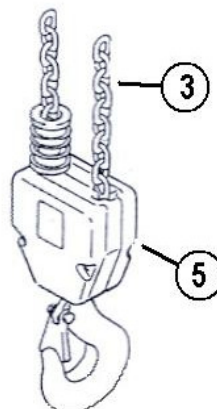
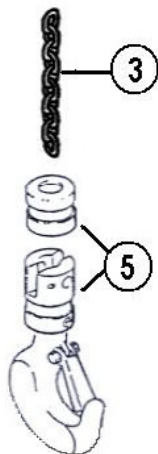
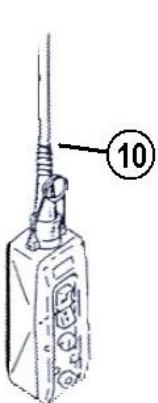
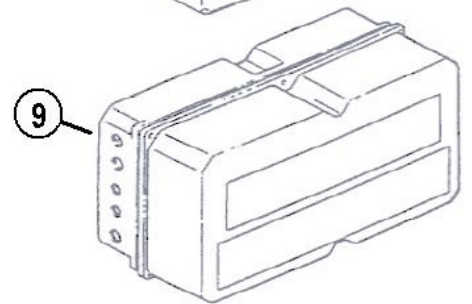
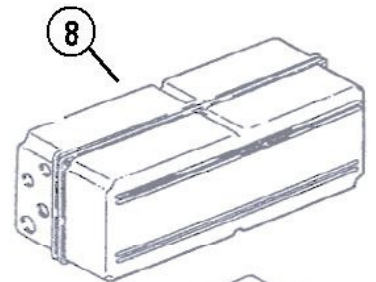
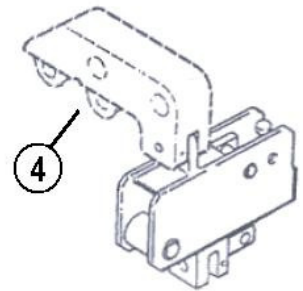
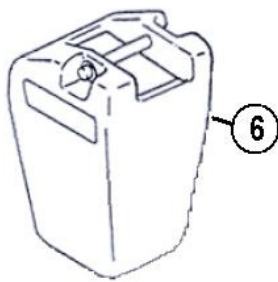
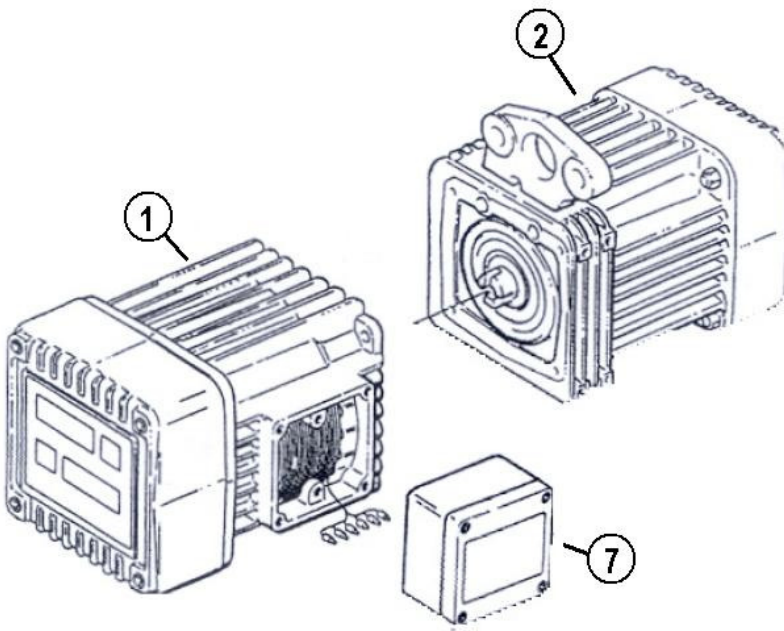
da 21 a 27

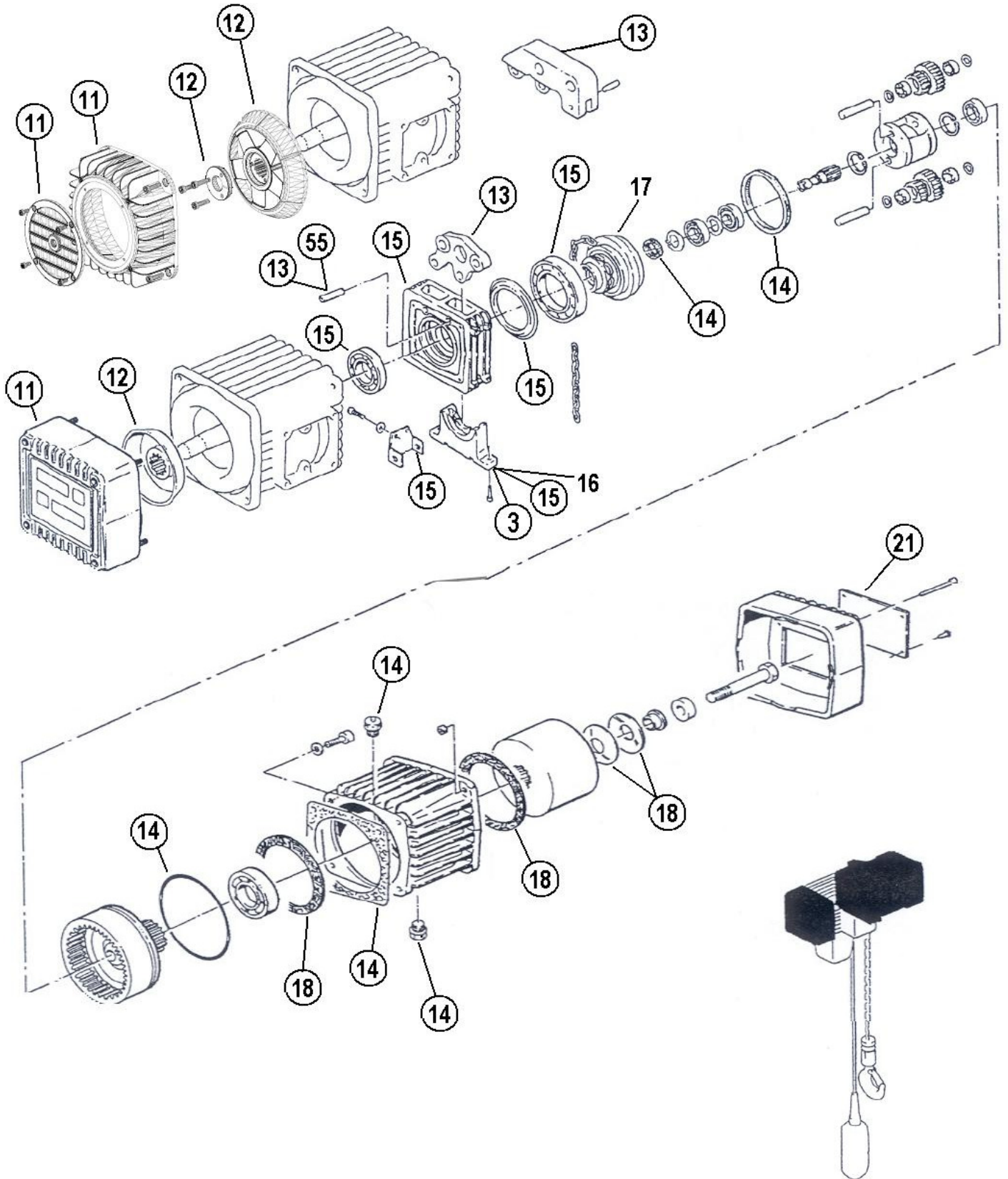
• NOUMENCLATURE

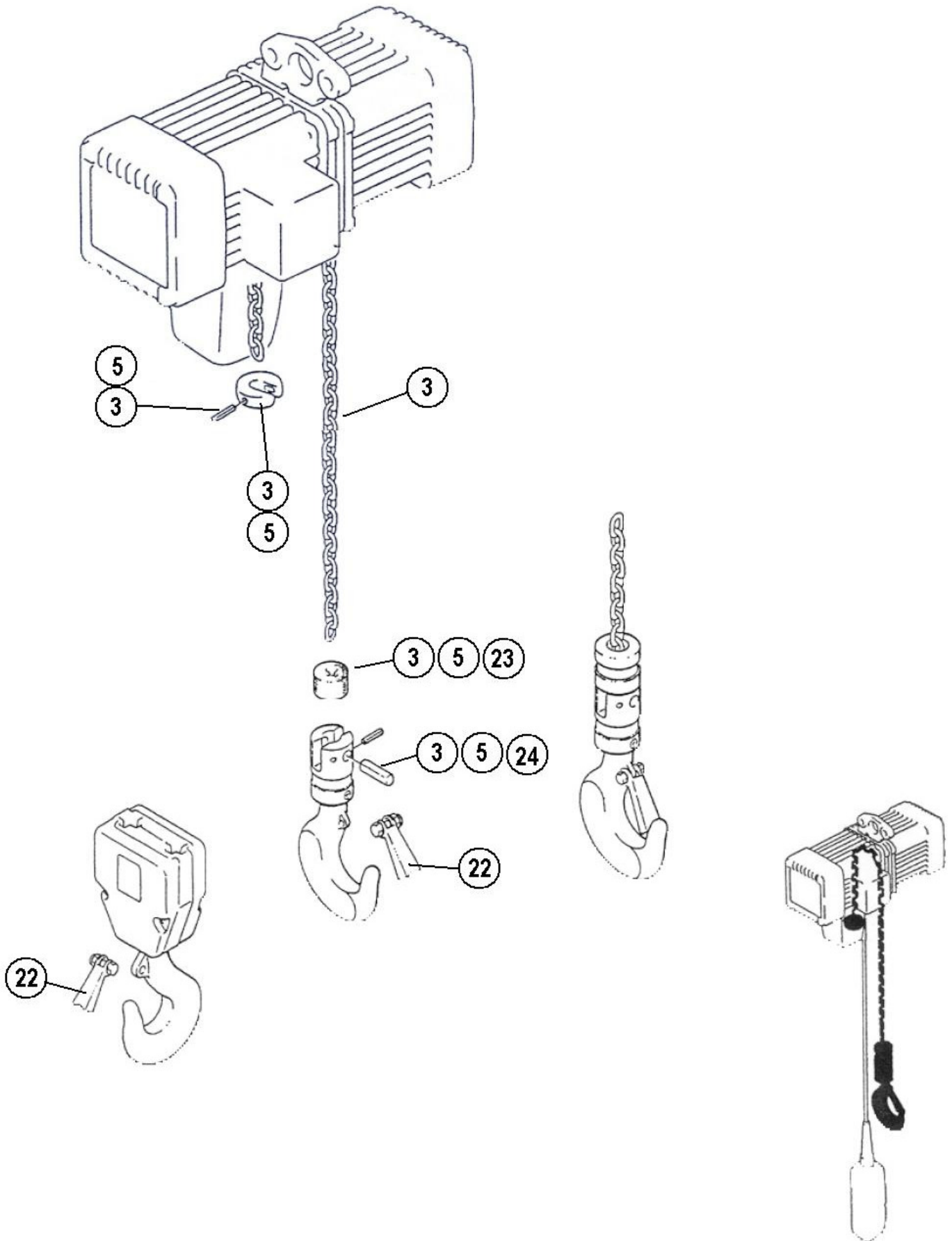
28

• CODES

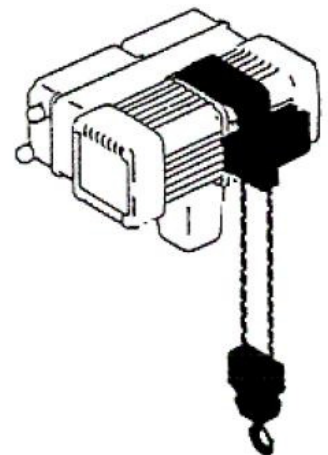
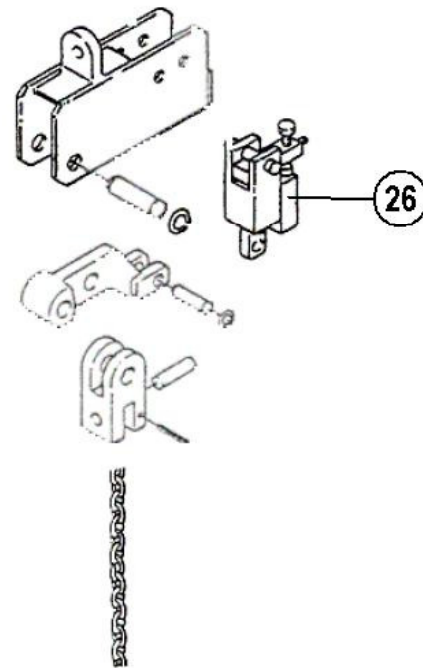
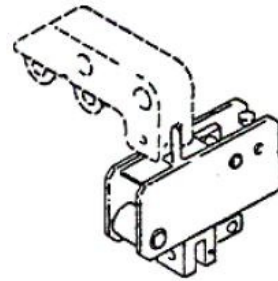
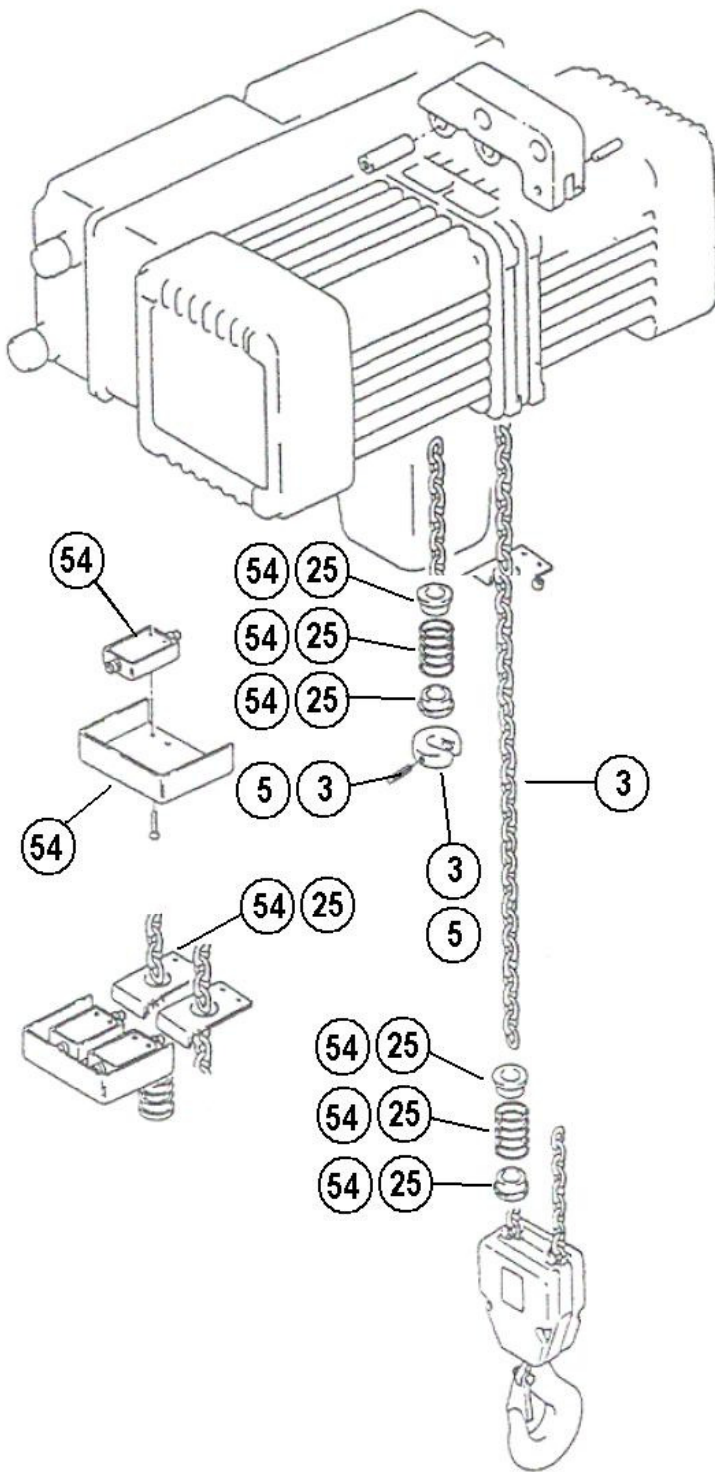
da 29 a 36







2 Tiri
2 Falls
2 Brins

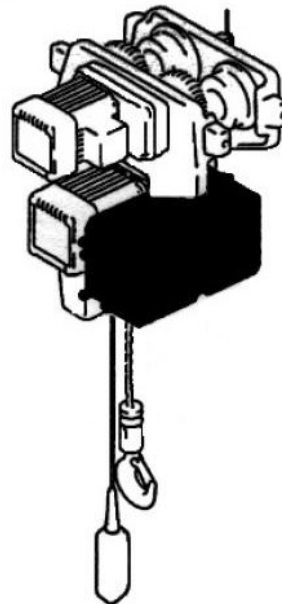
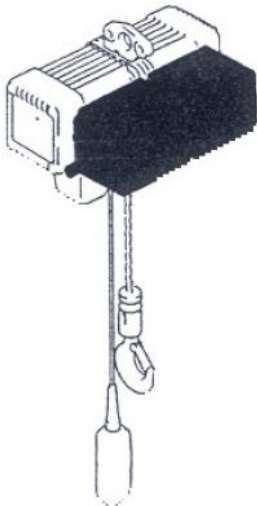
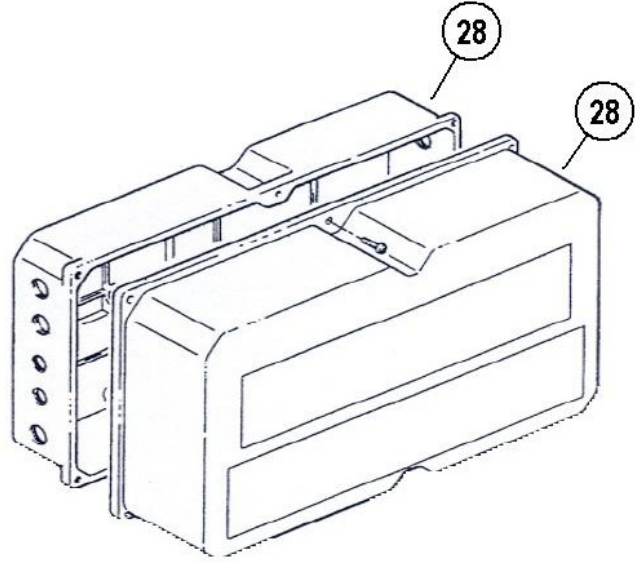
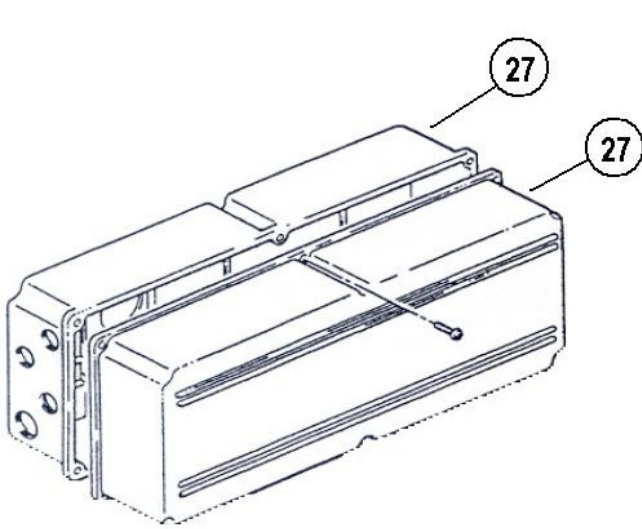


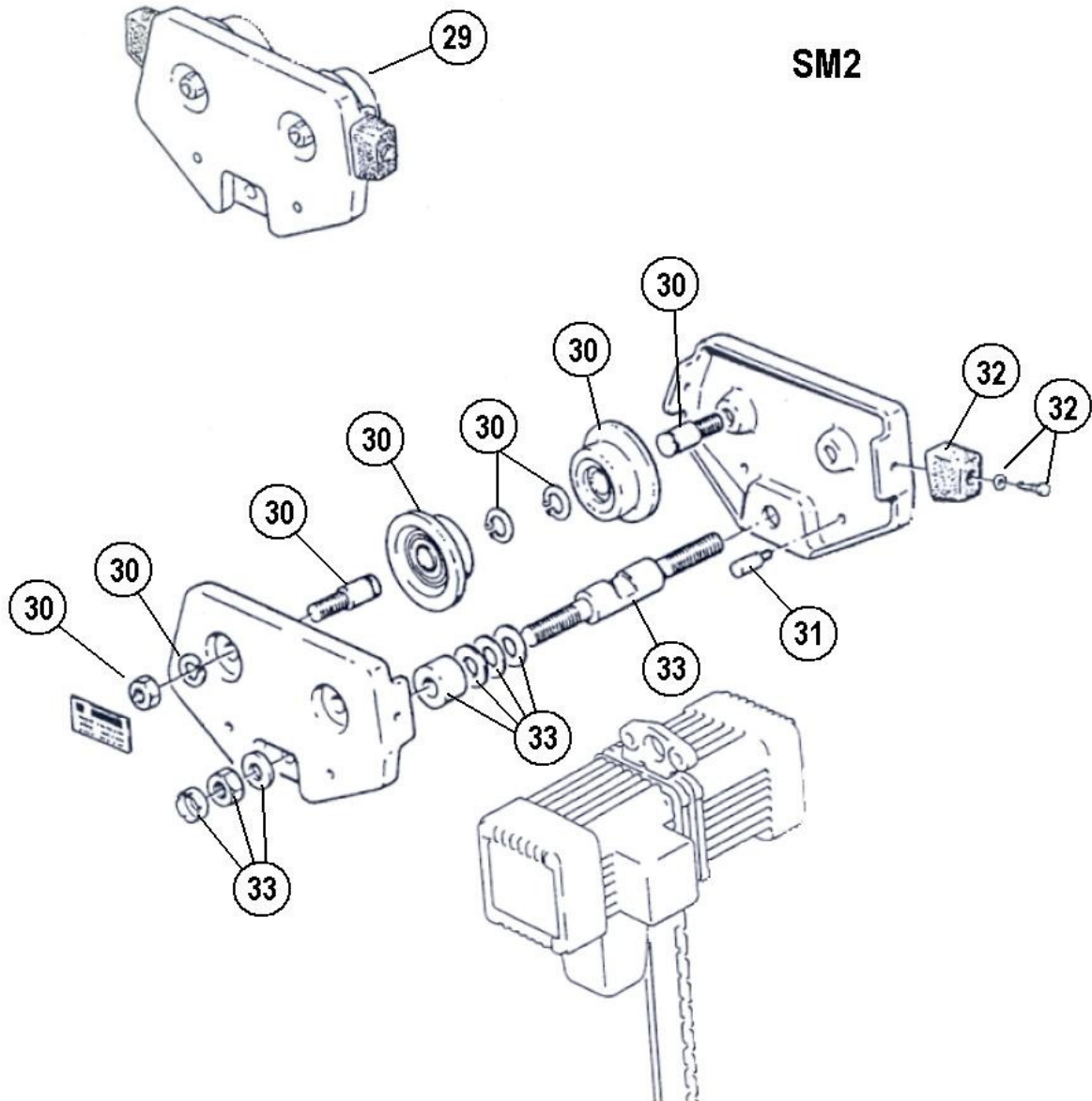


PARANCHI SERIE DMK
Apparechiatura BT 48 Volts

HOISTS SERIES DMK
Low voltage control 48 Volts

PALANS SERIE DMK
Coffret d'appareillage 48 Volts





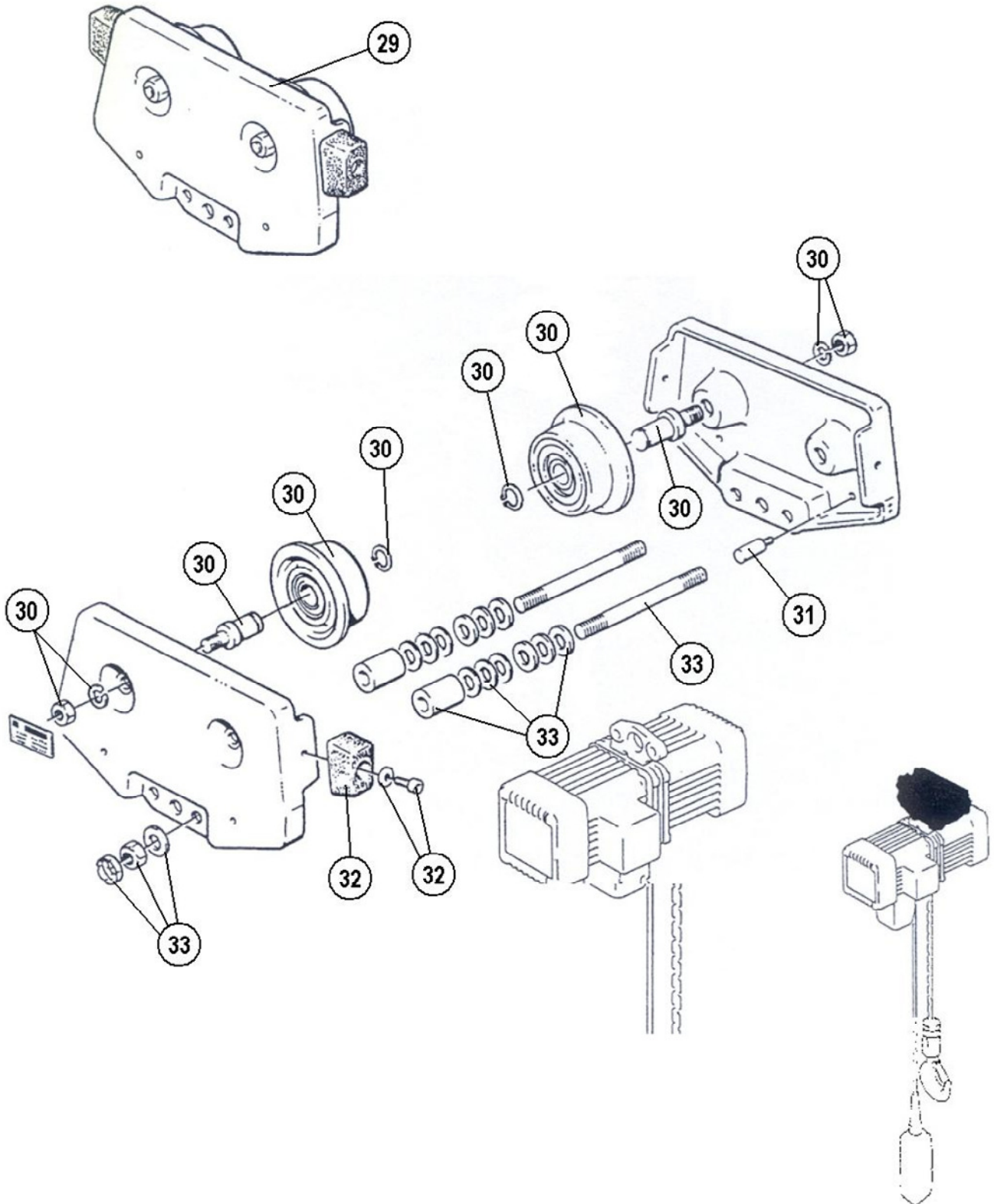


CARRELLO SERIE DMT
Carrello manuale a spinta

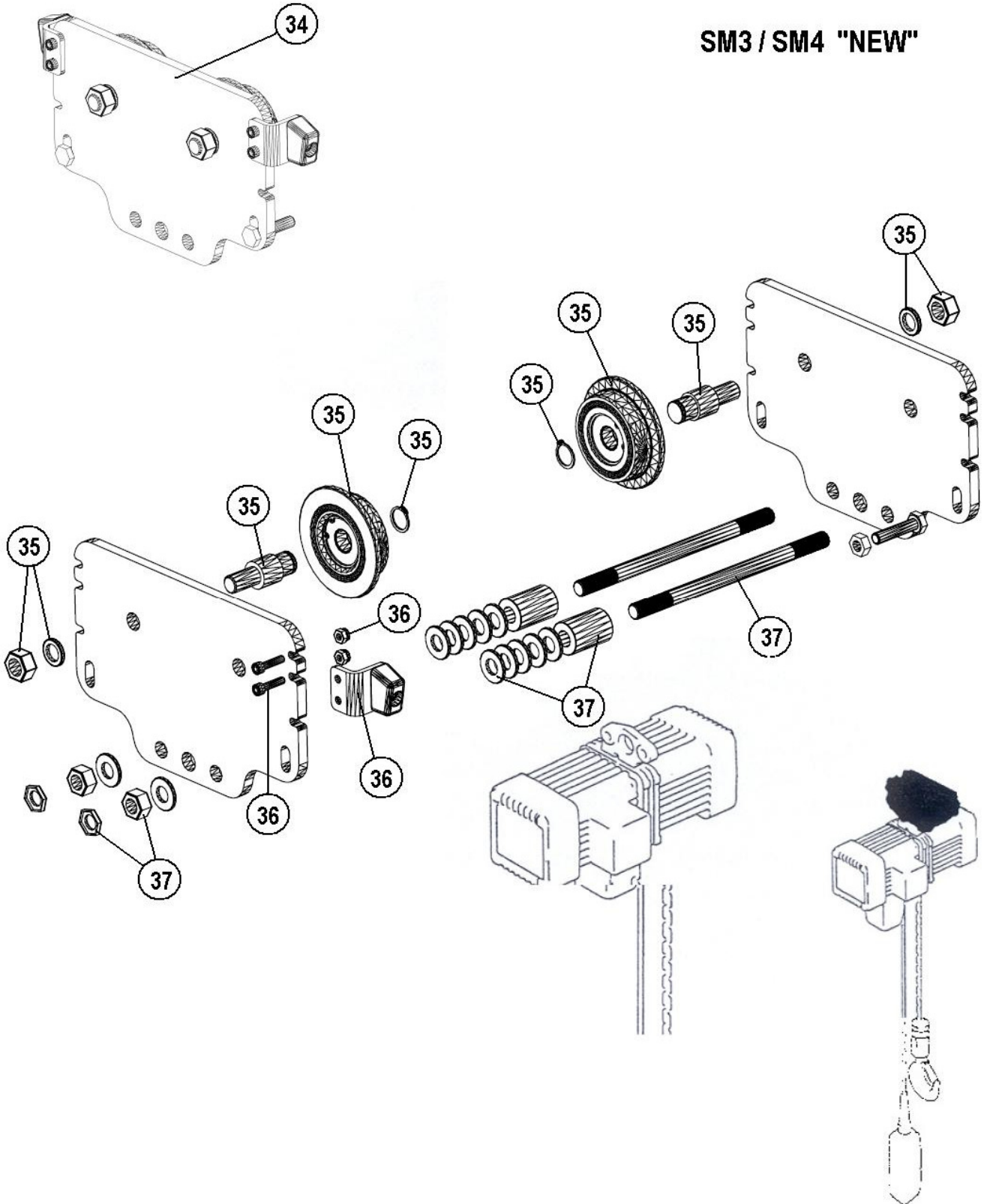
TROLLEY SERIES DMT
Hand push trolley

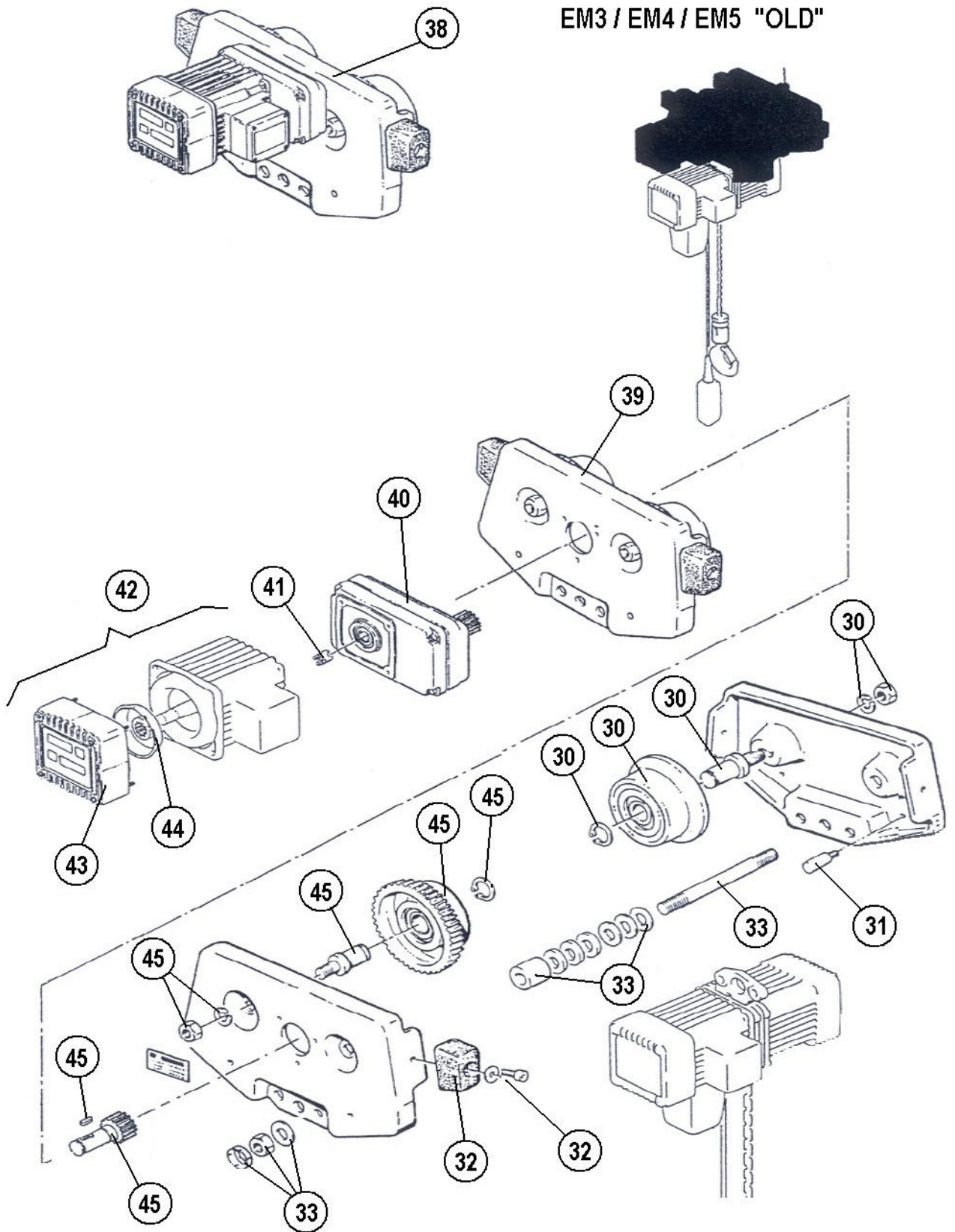
CHARIOT SERIE DMT
Chariot par pousse

SM3 / SM4 "OLD"
SM5

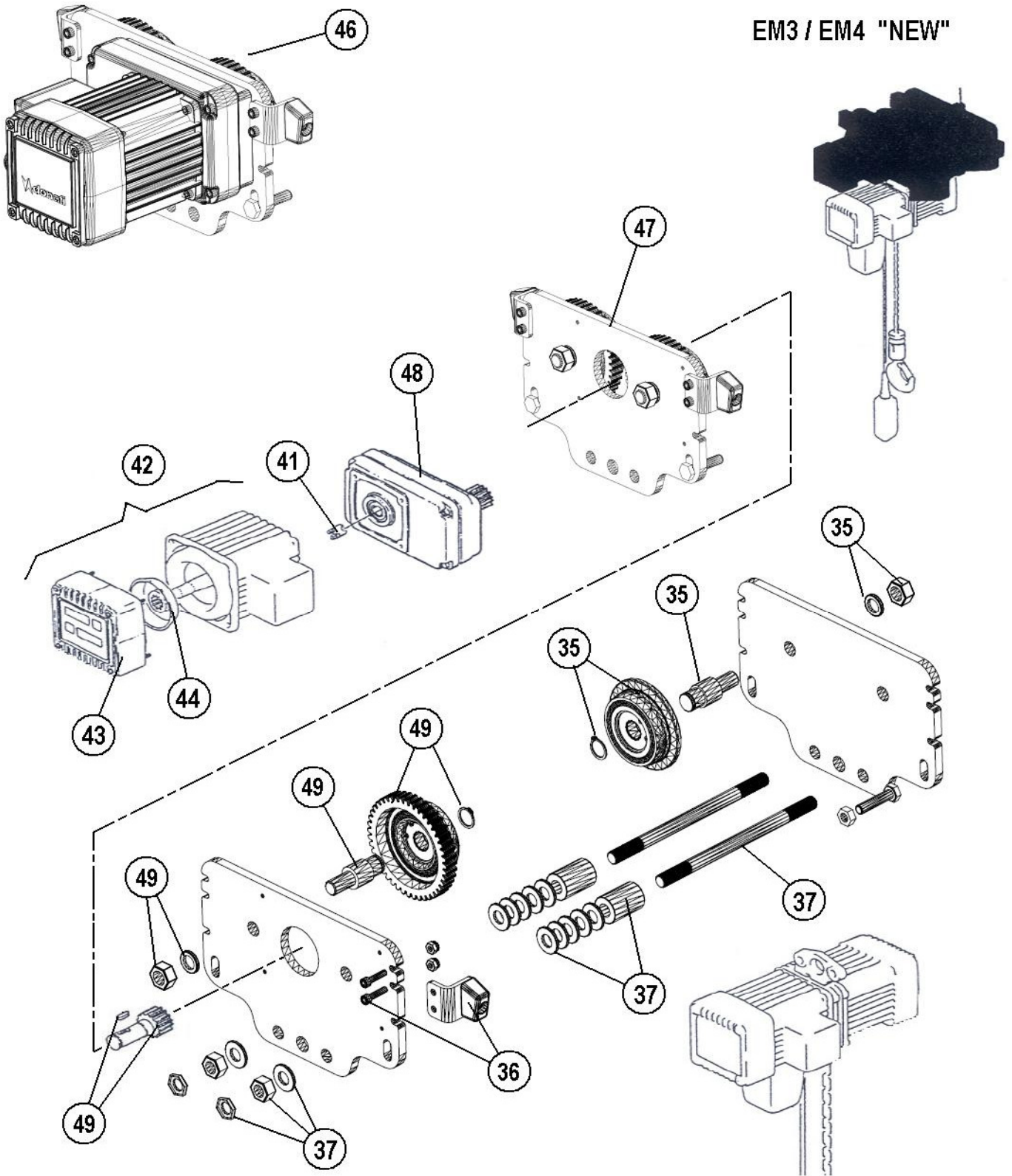


SM3 / SM4 "NEW"

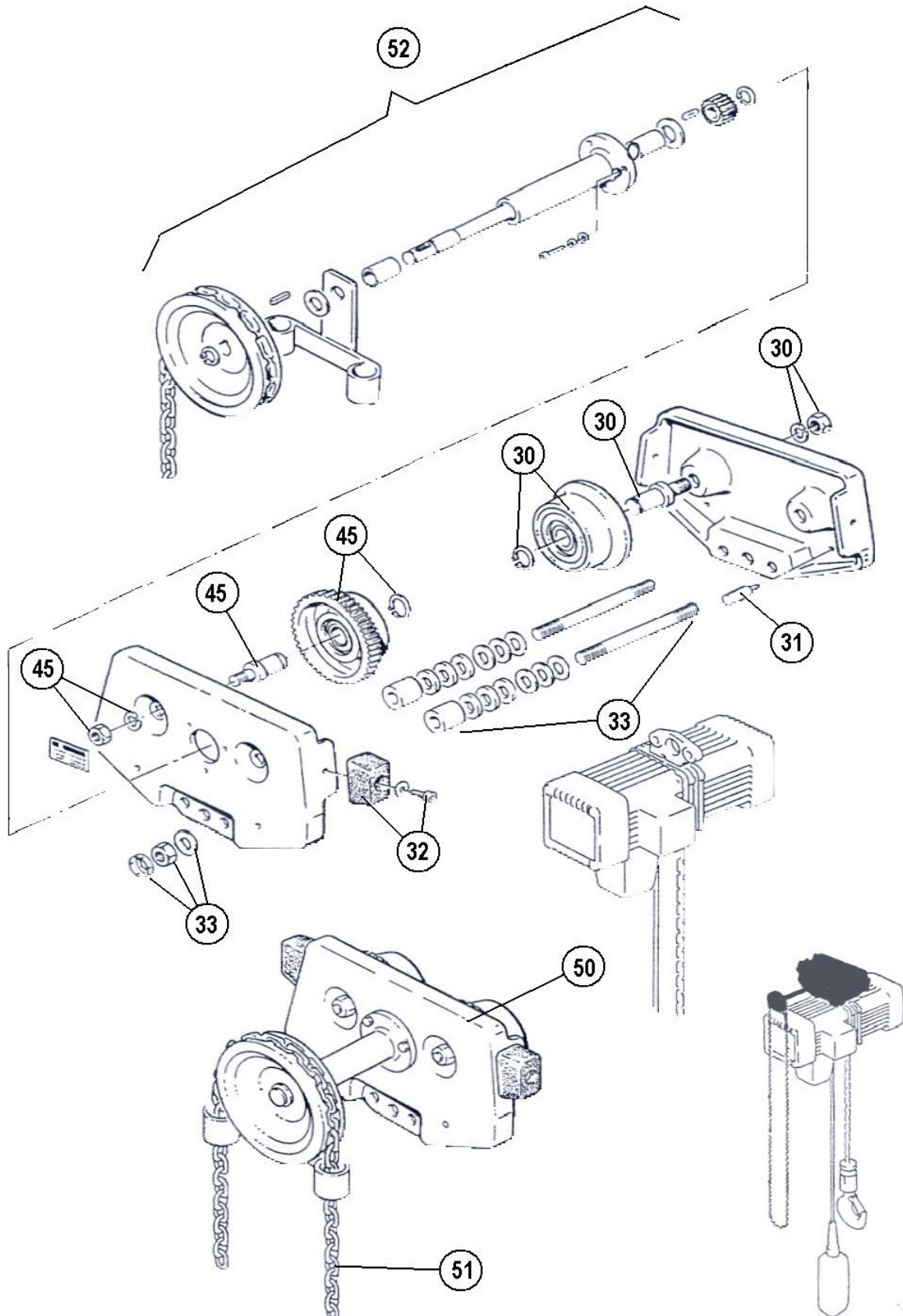




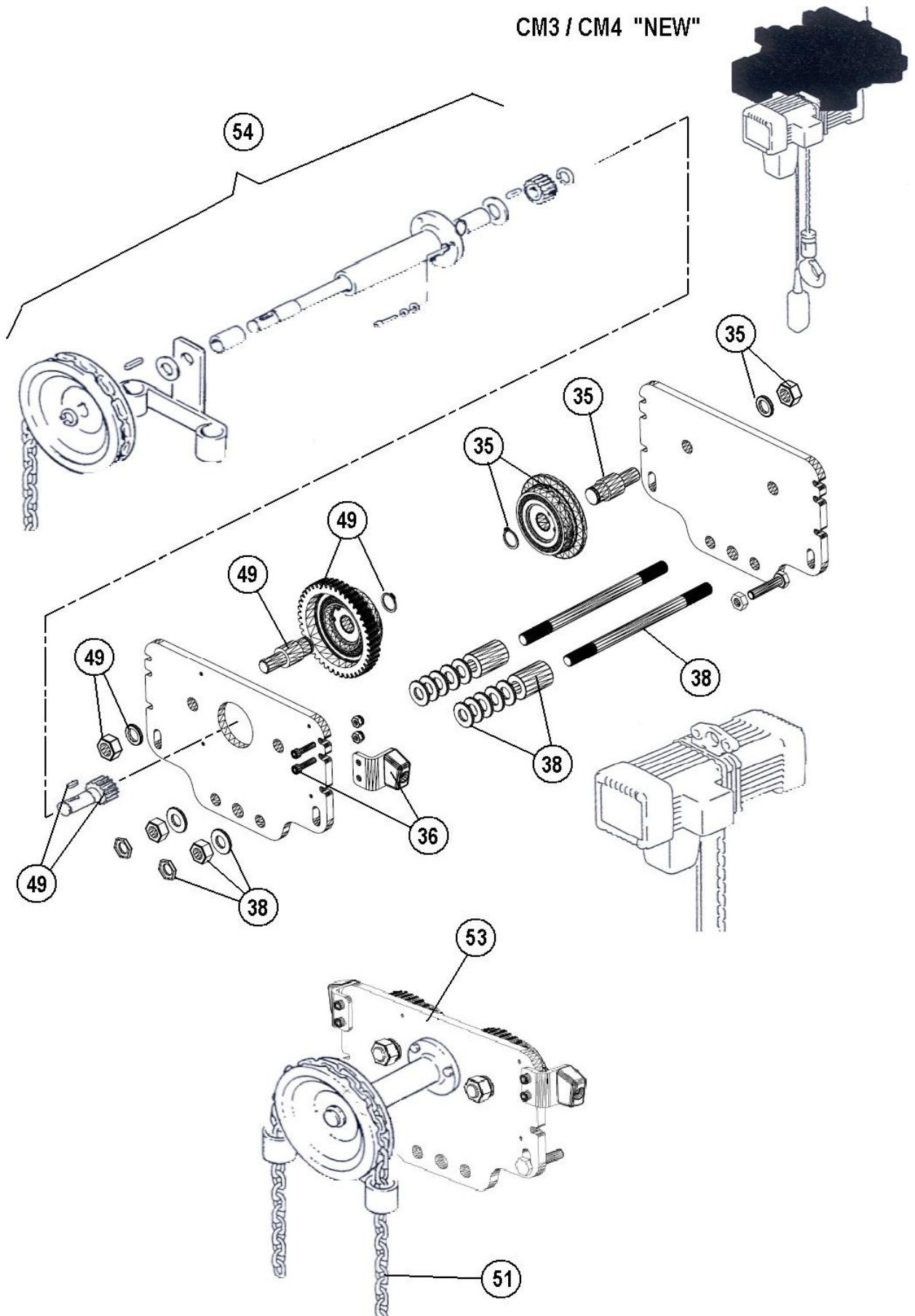
EM3 / EM4 "NEW"

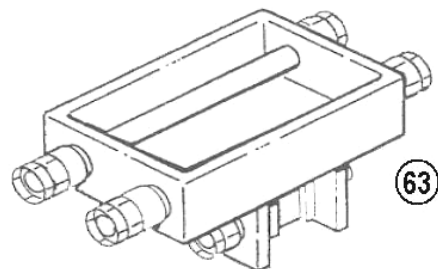
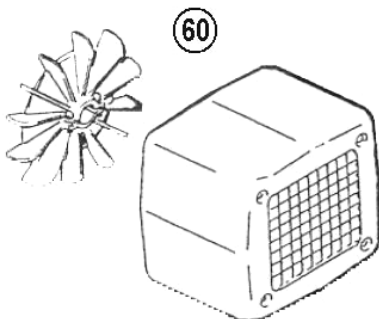
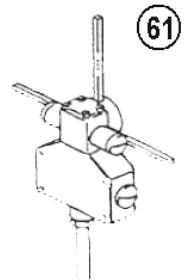
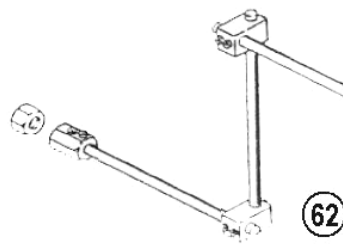
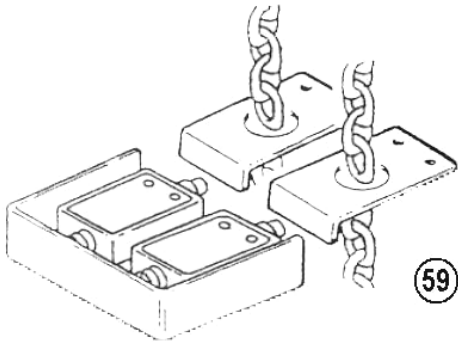
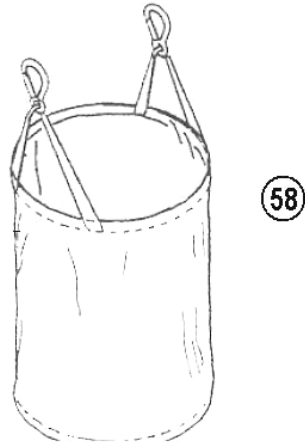
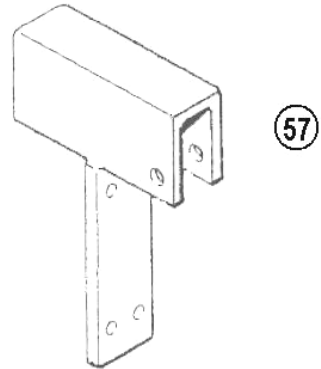
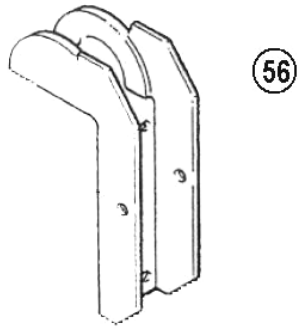
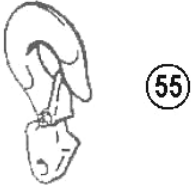


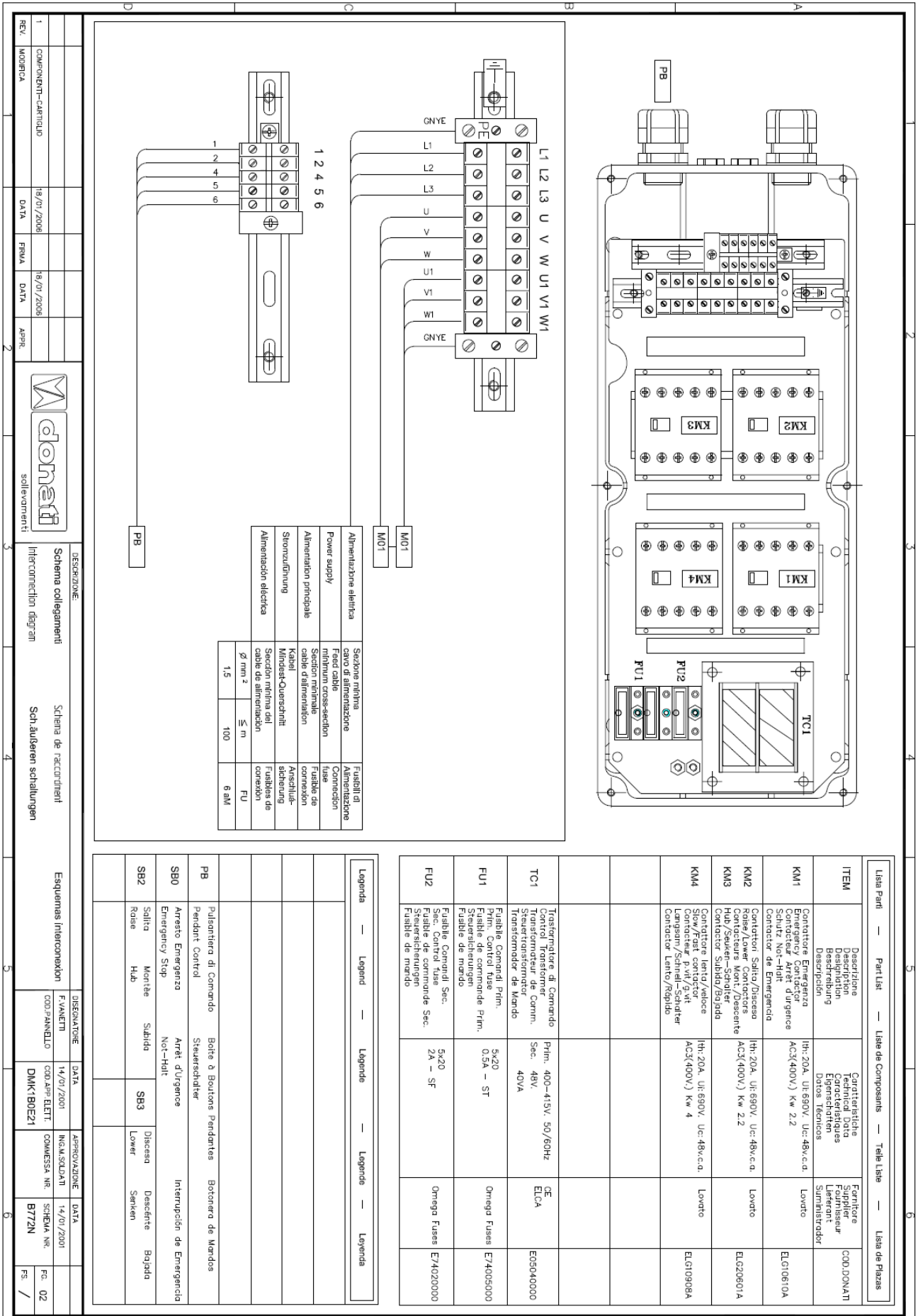
CM3 / CM4 / CM5 "OLD"



CM3 / CM4 "NEW"







REV	COMPONENTI-CARTICULO	DATA	PRIMA	DATA	APPRE
1	MODIFICA	18/01/2006		18/01/2006	

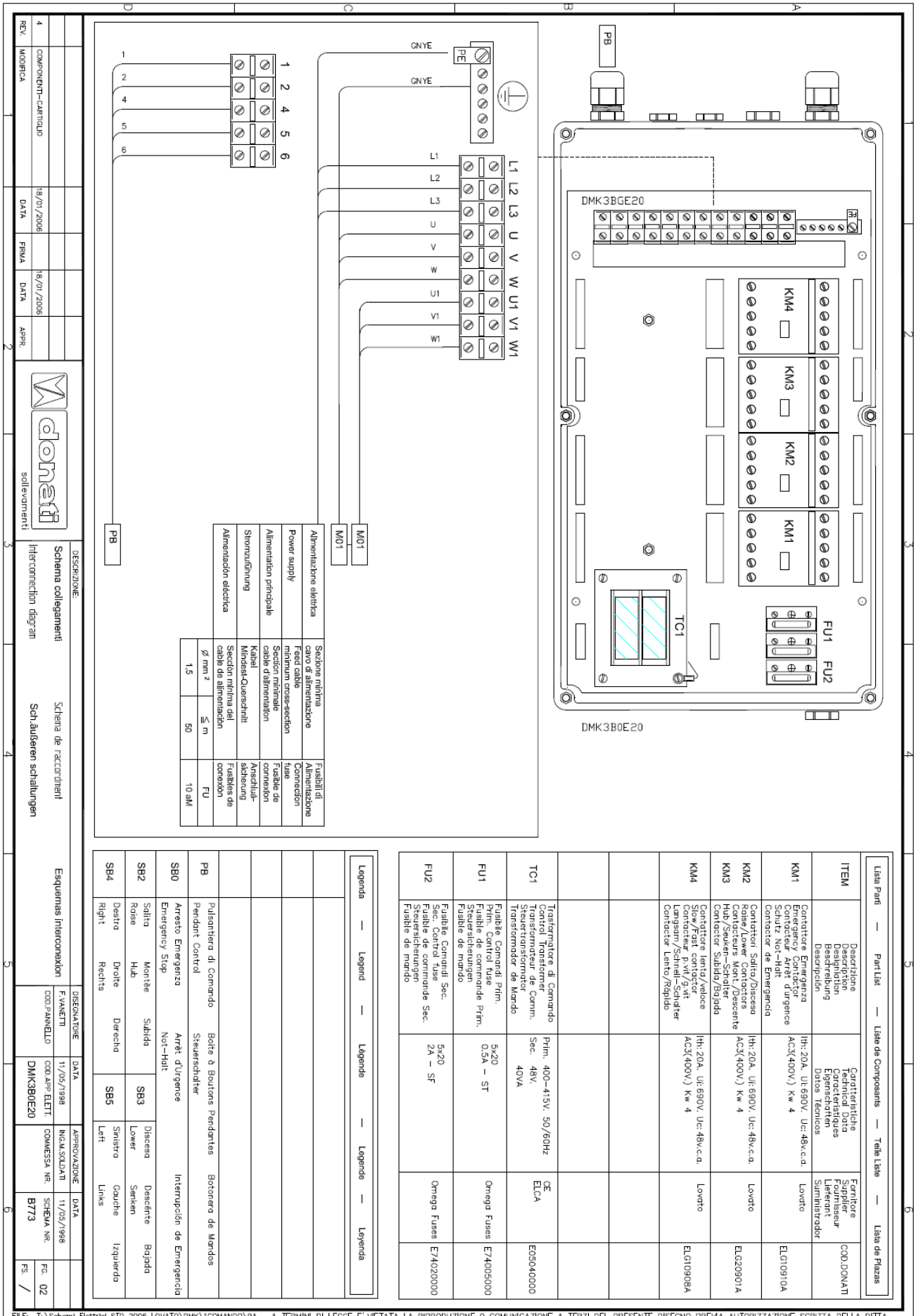
DESCRIZIONE	Schema colligamenti	Schema de racordanti
	Interconnection diagram	Sch. äußeren schaltungen

ESQUEMAS INTERCONEXION	DISIGNAZIONE	DATA	APPROVAZIONE	DATA
	F.VANETTI	14/01/2001	INGA SOLIATI	14/01/2001
	COO.PANDELLO	COO.AM.ELETT.	COMMESSA N°R.	SCHICKA N°R.
	DMK1/BOE21	DMK1/BOE21	B772N	EG. 02
				FS. /

Alimentazione elettrica	Sección eléctrica	Fusibili di Alimentazione
Power supply	Feeds and connection	Fuses
Alimentation principale	Section principale	Fusibles de connexion
Stromzuführung	Kabel	Arbeits- scheinung
Alimentación eléctrica	Mittelschleusenstrib	Abteilung de conexión
	Sección inferior del cable de alimentación	Fusibles de conexión
	Ø mm ±	FU
	1,5	100
		6 AM

Legenda	Legend	Legende	Legende	Legende
PB	Pulsantiera di Comando	Botón a Boutons	Pendantes	Botonera de Mandos
SB0	Arresto Emergenza	Arrêt d'urgence	Not-Halt	Interrupción de Emergencia
SB2	Salida	Sortie	Halb	Descarte
				Bayada

ITEM	Descrizione	Caratteristiche	Fornitore
	Description	Technical Data	Supplier
	Bestimmung	Ergebnisse	Lieferant
	Bestreibung	Datas técnicas	Lieferant
	Description		Administrador
KM1	Contattore Emergenza	Int: 20A. Ut:690V. Ue:48V.c.a.	Lovato
	Contracteur Arret d'urgence	AC3(400V.) Kw 2.2	
	Contracteur de Emergencia		
KM2	Contattore Salto/Discesa	Int: 20A. Ut:690V. Ue:48V.c.a.	Lovato
	Rate/Lower Contactors	AC3(400V.) Kw 2.2	
	Contracteurs Mont./Descente		
KM3	HUP/Seuen-Schaltler		
	HUP/Seuen-Schaltler		
	Contracteur Salida/Descida		
KM4	Contattore lento/veloce	Int: 20A. Ut:690V. Ue:48V.c.a.	Lovato
	Contracteur p.viv/9.vit	AC3(400V.) Kw 4	
	Contracteur Lentu/Rápido		
TC1	Trasformatore di Comando	Prim. 400-415V. 50/60Hz	EE
	Control Transformer	Sec. 48V.	ELCA
	Steuertransformator	40VA	EO5040000
	Transformador de Mando		
FU1	Fusibile Comandi Prim.	5x20	Omega Fuses
	Prim. Control fuse	0.5A - ST	E74005000
	Fusible de commande Prim.		
	Fusible de mando		
FU2	Fusibile Comandi Sec.	5x20	Omega Fuses
	Sec. Control fuse	2A - SF	E74020000
	Fusible de commande Sec.		
	Fusible de mando		



REV	COMPONENTI-CARTIGLIO	DATA	DATA	DATA	DATA	DATA
4		18/01/2006		18/01/2006		APPRE
	MODIFICA					



DESCRIZIONE:
 Schema collegamenti
 Interconnection diagram
 Schema de tracçadiant
 Sch. saulieren schaltungen

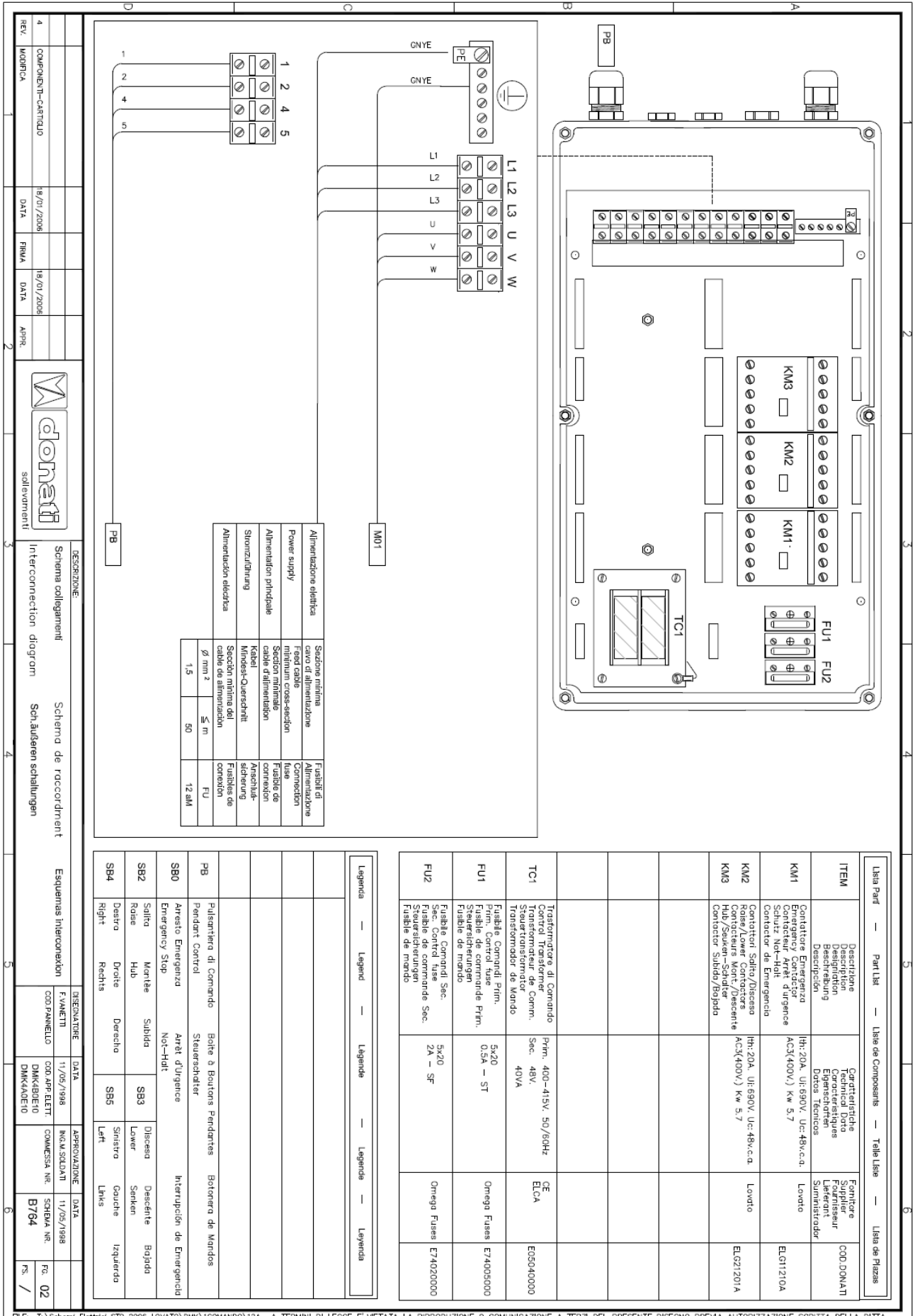
DESIGNAZIONE	DATA	APPROVAZIONE	DATA
F.VANETTI	11/05/1998	ING.M.SQUILLATI	11/05/1998
ESQUEMAS INTERCONEXION	COD. AMB. ELET	COMMESSA NR.	SCHEMA NR.
	DMK3B0E20		B773
			FS. /

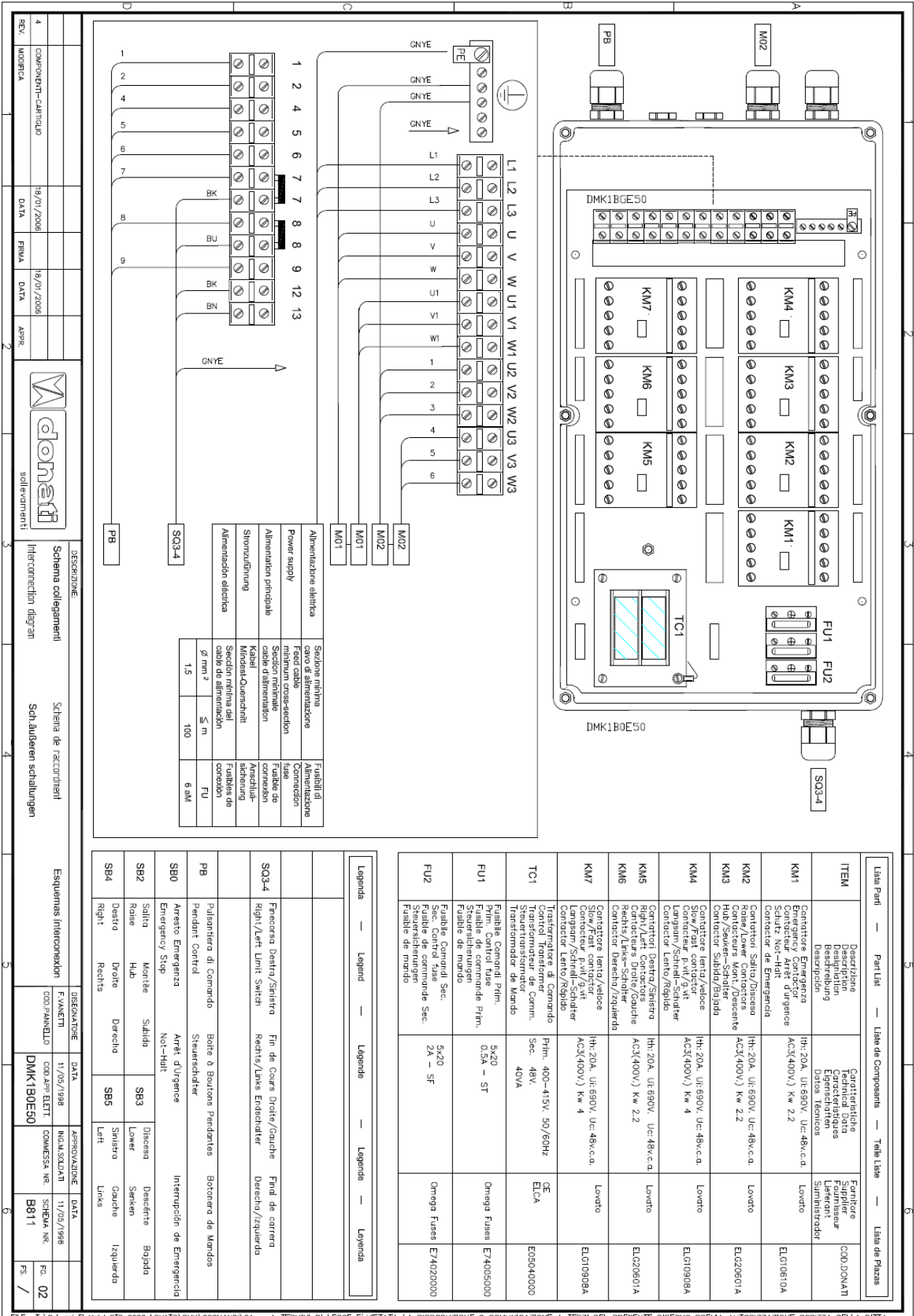
Alimentazione elettrica	Sezione minima cavo di alimentazione	Fusibili di Alimentazione
Power supply	Feed cable minimum cross-section	Connection fuse
Alimentation principale	Section minimale cable d'alimentation	Fusible de connexion
Stromzuführung	Kabel Mindest-Querschnitt	Anschluss-sicherung
Alimentación eléctrica	Sección mínima del cable de alimentación	Fusibles de conexión
	Ø mm 2	FU
	15	50
		10kA

PB	Pulsantiera di Comando	Botón de Mandos
SB0	Arresto Emergenza	Interrupción de Emergencia
SB1	Montée	
SB2	Rohe	
SB3	Arret d'Urgence	
SB4	Droite	
SB5	Derecho	
	Rectis	

ITEM	Description	Caratteristiche	Fornitore	COD.DONATI
KM1	Contattore Emergenza	1h: 20A, Ue: 690V, Uc: 48V.c.a.	Lovato	ELG10910A
KM2	Contattore Salvo/Discaso	1h: 20A, Ue: 690V, Uc: 48V.c.a.	Lovato	ELG20901A
KM3	Contattore Mont./Discente	AC3(400V), Kw 4		
KM4	Contattore lento/rapido	1h: 20A, Ue: 690V, Uc: 48V.c.a.	Lovato	ELG10908A
FU1	Fusibile Comando Prim.	5x20 0.5A - ST	Omega Fuses	E74005000
FU2	Fusibile Control fuse	5x20 2A - SF	Omega Fuses	E74020000
TC1	Trasformatore di Comando	Prim. 400-415V, 50/60Hz	CE	EC0040000

Legenda — Legend — Legende — Legende — Legenda





4	COMPONENTI-CARTELLINO	18/01/2006	DATA	18/01/2006	DATA	APPR.
REV.	MODIFICA					

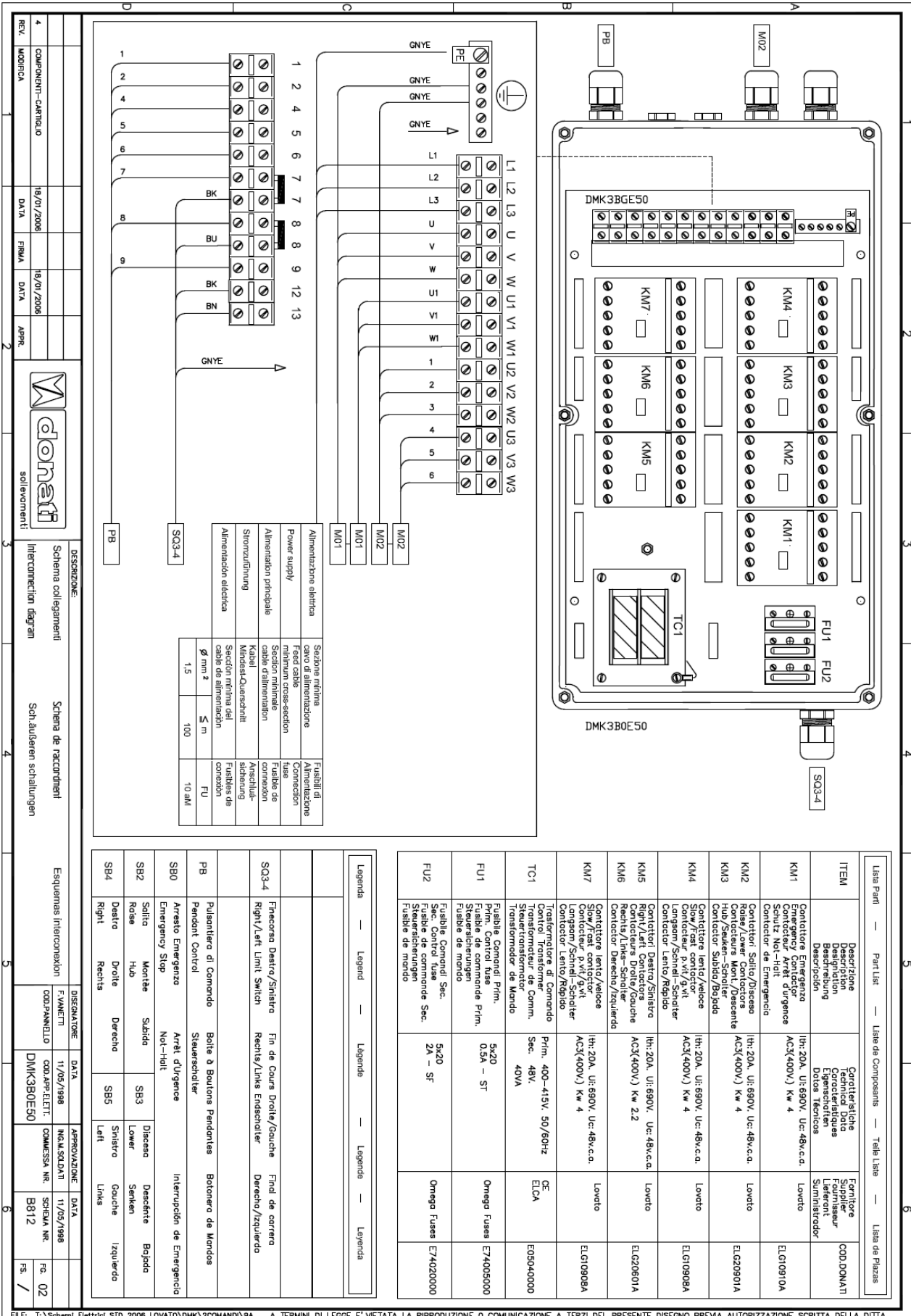
DESCRIZIONE:	Schema collegamenti	Schema de raccordi
	Interconnection diagram	Sch. äußeren schaltungen

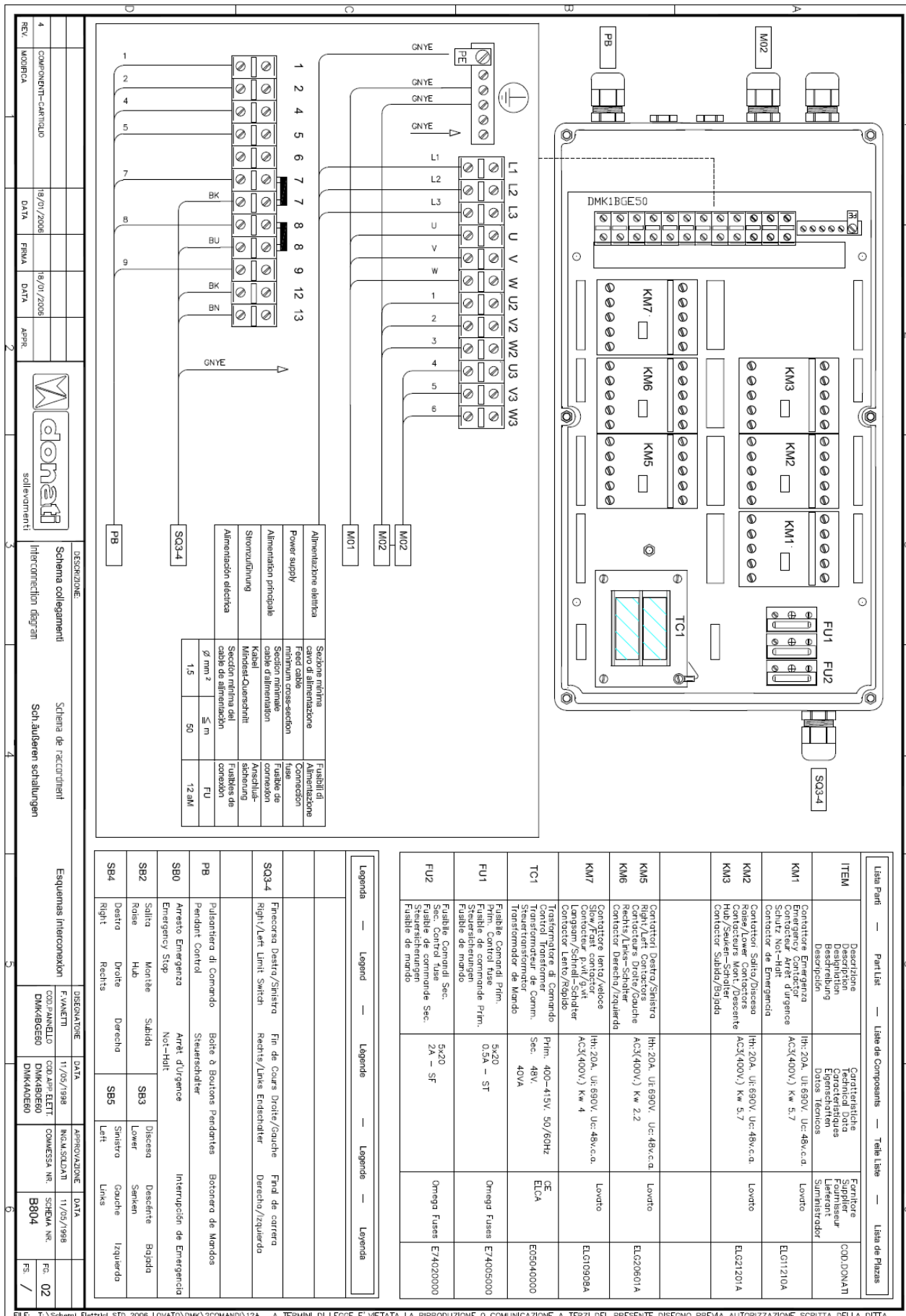
DESIGNAZIONE	DATA	APPROVAZIONE	DATA
F. VIANETTI COD. PANNELLO	11/05/1998	ING. M. SQUILLI COM. 555A NR.	11/05/1998
DMK1B0E50		8811	FIG. 02

ITEM	Descrizione Description Beschreibung	Caratteristiche Technical Data Caractéristiques Techniques Daten	Fornitore Supplier Fournisseur Lieferant Lieferant	COO. DONATI
KM1	Contattore Emergenza Emergency Stop Schutz Not-Halt Contactor de Emergencia	1ht:20A, Uf:690V, Uc:48V.c.a AC3(400V.) Kw 2.2	Lowto	ELG10610A
KM2	Contattore Salto/Diaccia Rolo/Lower Contactors Hub/Saunen-Schreiber Contactor Subida/Bajada	1ht:20A, Uf:690V, Uc:48V.c.a AC3(400V.) Kw 2.2	Lowto	ELG20601A
KM3	Contattore lento/voce Slow/Fast contactor Contacteur p.vf./g.vt Contactor Schnell-/Schlter	1ht:20A, Uf:690V, Uc:48V.c.a AC3(400V.) Kw 4	Lowto	ELG10909A
KM4	Contattore lento/voce Slow/Fast contactor Contacteur p.vf./g.vt Contactor Schnell-/Schlter	1ht:20A, Uf:690V, Uc:48V.c.a AC3(400V.) Kw 4	Lowto	ELG10909A
KM5	Contattore Destra/Sinistra Caracteurs Droite/Gauche Rechts/Links-Schaber	1ht:20A, Uf:690V, Uc:48V.c.a AC3(400V.) Kw 2.2	Lowto	ELG20601A
KM6	Contattore Destra/Sinistra Caracteurs Droite/Gauche Rechts/Links-Schaber	1ht:20A, Uf:690V, Uc:48V.c.a AC3(400V.) Kw 4	Lowto	ELG10909A
KM7	Contattore lento/voce Slow/Fast contactor Contacteur p.vf./g.vt Contactor Schnell-/Schlter	1ht:20A, Uf:690V, Uc:48V.c.a AC3(400V.) Kw 4	Lowto	ELG10909A
TC1	Contattore di Comando Control Transformer Steuertransformator Transformador de Comando	Prim. 400-415V, 50/60Hz Sec. 48V 40VA	CE ELCA	EO5040000
FU1	Fusibile Comandi Prim. Prim. Control Fuse Fusible de commande Prim. Fusible de mande	5x20 0.5A - ST	Omega Fuses	E74005000
FU2	Fusibile Comandi Sec. Sec. Control Fuse Fusible de commande Sec. Fusible de mande	5x20 2A - SF	Omega Fuses	E74020000

Legenda	Legend	Legende	Legende	Legenda
---------	--------	---------	---------	---------

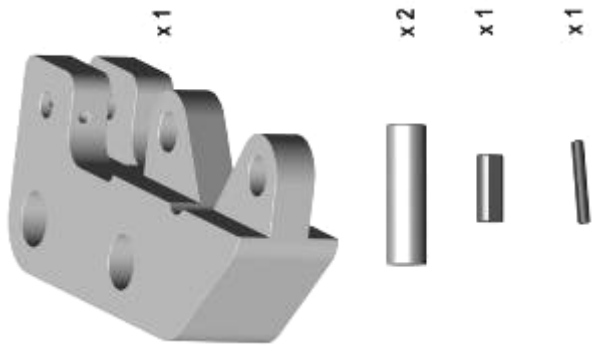

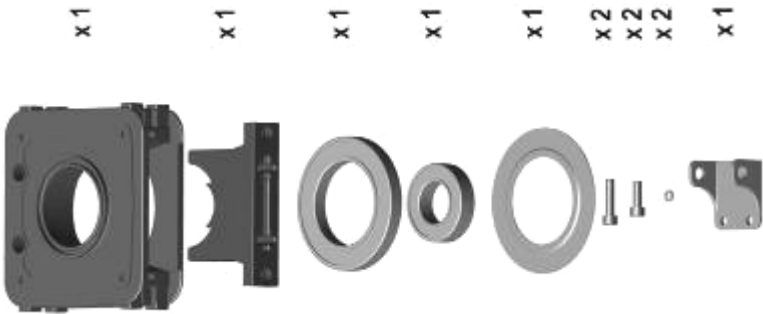
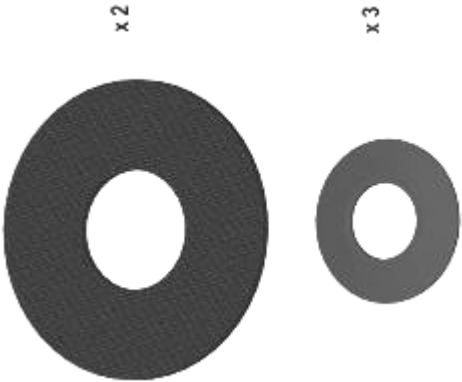
SB0	Arresto Emergenza Emergency Stop Not-Halt	Arret d'urgence Not-Halt	Interruttore de Emergencia	Botonera de Mandos
SB2	Salita Rolle Hub	Subida	Descente	Bajada
SB4	Destra Droite Rechts	Derecho	Sinistro Gauche	Izquierdo
SB5	Right	Rechts	Left	Links

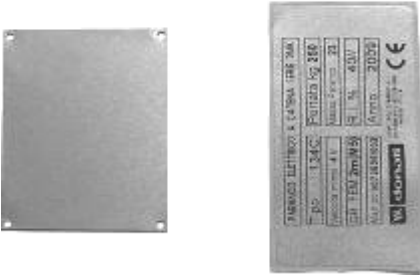








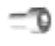


















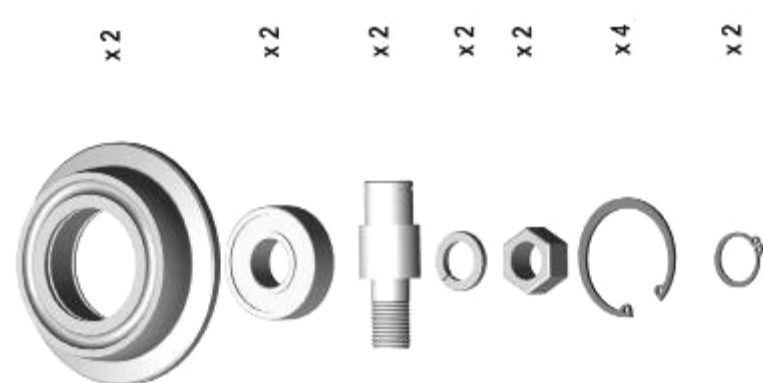
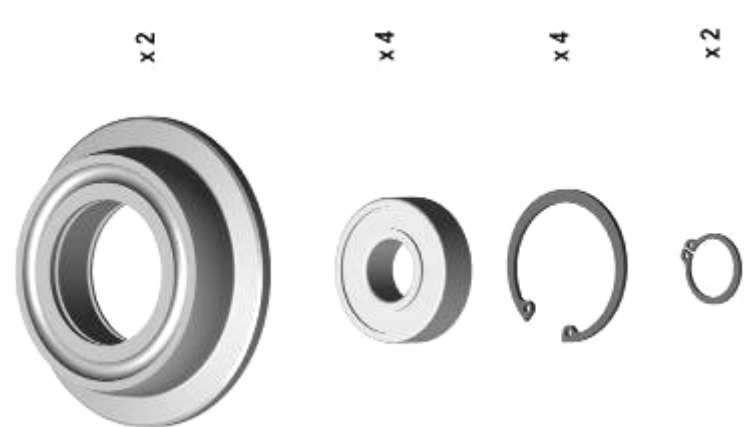


FILE: T:\Schemi Elettrici STD 2006 LOVATO\DMK\2COMAND\12A A TERMINI DI LEGGE E' VIETATA LA RIPRODUZIONE O COMUNICAZIONE A TERZI DEL PRESENTE DISEGNO PREVIA AUTORIZZAZIONE SCRITTA DELLA DITTA

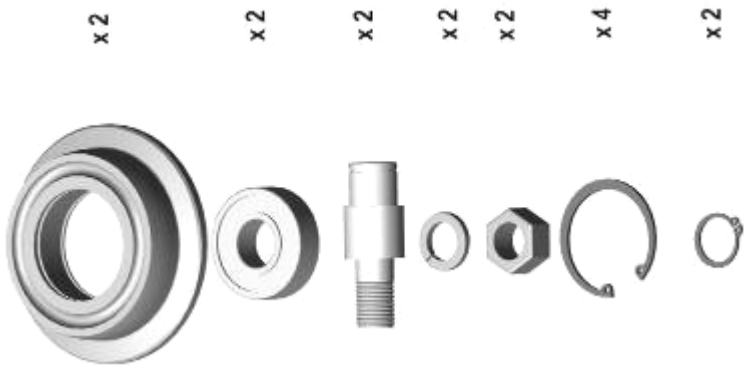


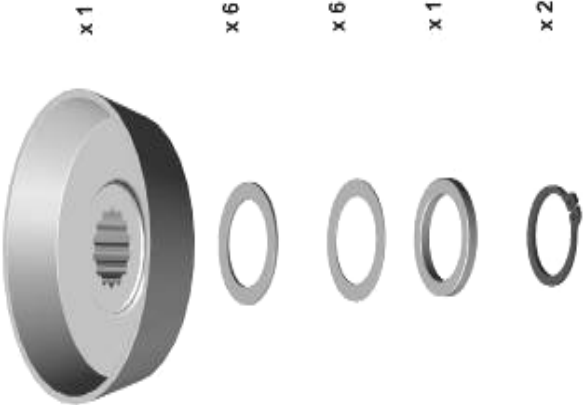
Pos. 3	<p>x1</p> <p>x1</p> <p>x1</p> <p>x1</p> <p>x1</p> <p>x1</p> <p>x1</p>	
Pos. 11	<p>DMK1</p> <p>x1</p>	<p>x1</p> <p>x1</p> <p>x4</p>
Pos. 12	<p>DMK1</p> <p>x1</p> <p>x6</p> <p>x6</p> <p>x1</p> <p>x2</p>	<p>x1</p> <p>x1</p> <p>x3</p>
Pos. 13	<p>x1</p> <p>x2</p>	

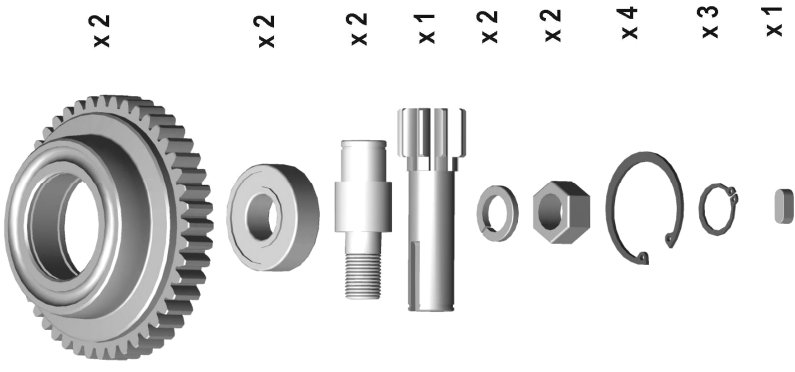
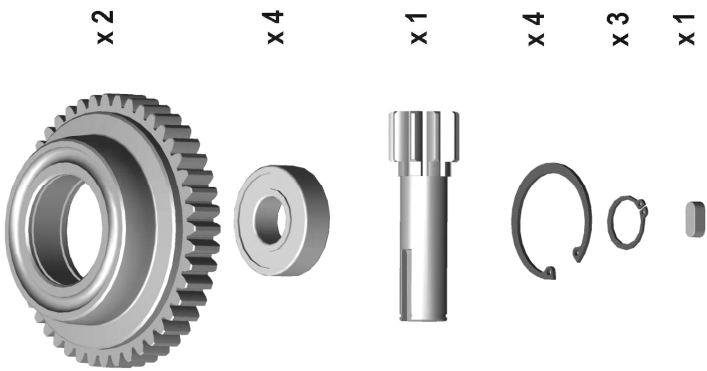
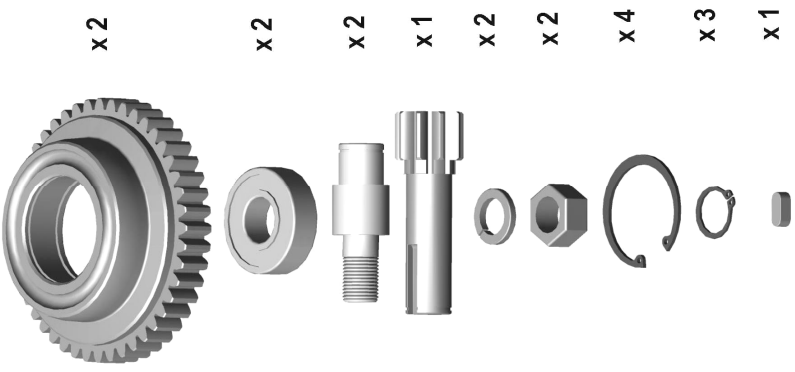
Pos. 13	<p>DMK4 2 tiri DMK4 2 falls DMK4 2 brins</p> 
Pos. 14	
Pos. 15	
Pos. 18	

Pos. 21	 <p>x 1</p> <p>x 1</p>
Pos. 22	 <p>x 3</p>
Pos. 23	 <p>x 3</p>
Pos. 24	 <p>x 3</p>

<p>Pos. 25</p>	 x2  x2  x4  x4
<p>Pos. 27</p>	 x1  x1  x1  x6  x4
<p>Pos. 28</p>	 x1  x1  x1  x6  x4
<p>Pos. 30</p>	<p>SM2</p>  x4  x4  x4  x4  x4  x4

Pos. 30	 <p>x2 x2 x2 x2 x2 x4 x2</p>
Pos. 30	 <p>x2 x4 x4 x2</p>
Pos. 31	 <p>x4</p>
Pos. 32	 <p>x4 x4 x4</p>

Pos. 35	 <p>x 2 x 2 x 2 x 2 x 2 x 4 x 2</p>
Pos. 36	 <p>x 4 x 4 x 12 x 12 x 12</p>
Pos. 43	 <p>x 1</p>
Pos. 44	 <p>x 1 x 6 x 6 x 1 x 2</p>

<p>Pos. 45</p>	<p>EM3 / EM4</p> 
<p>Pos. 45</p>	<p>EM5</p> 
<p>Pos. 49</p>	

<i>Italiano</i>	<i>English</i>	<i>Francaise</i>
1 motore	motor	moteur
2 riduttore	reducer	reducteur
3 catena	chain	chaîne
4 traversa capofisso-leva	anchorage cross head	ensemble point fixe
5 sottoblocco	hook block	moufle
6 raccogli catena	chain box stirrup	bac a chaîne
7 modulo di collegamento	connection module	module de connexion
8 apparecchiatura	equipment	coffret d'appareillage
9 apparecchiatura	equipment	coffret d'appareillage
10 pulsantiera	push button panel	boite a boutons
11 coperchio motore SET	motor cover SET	couvercle moteur SET
12 ceppo freno motore SET	brake shoe SET	sabot de frein SET
13 staffa rigida golfare SET	suspension stirrup SET	oiellet SET
14 guarnizioni riduttore SET	reducer gasket SET	joint reducteur SET
15 gruppo portante SET	support group SET	groupe porteur SET
16 estrattore	extractor	extracteur
17 corona noce	warve	niox de charge
18 dischi frizione SET	clutch disc SET	disque de friction SET
19 carcassa riduttore	reducer casing	carcassa de reducteur
20 coperchio riduttore	reducer cover	couvercle reducteur
21 targa coperchio dati SET	cover data plate SET	plaque donnees couvercle SET
22 moschettone SET	safety latch SET	linguer de securite SET
23 tampone ammortizzatore SET	buffer SET	butee SET
24 spina sottoblocco SET	hook block pin SET	axe moufle SET
25 finecorsa SA/DI SET	up/down limit switch SET	fin de course montee/descent SET
26 limitatore di carico	overload device	limiteur de charge
27 involucro apparecchiatura SET	frame/cover equipment SET	flasque/couvercle coffret d'appareillage SET
28 involucro apparecchiatura SET	frame/cover equipment SET	flasque/couvercle coffret d'appareillage SET
29 piastra folle	idle plate	flasque fou
30 ruota folle SET	idle wheel SET	galet fou SET
31 perno antiribaltamento SET	anti-capsize bolt SET	axe anti-basculage SET
32 tampone SET	buffer SET	butee SET
33 tiranti	staybolts	tirants
34 piastra folle SM3/SM4 "new"	idle plate SM3/SM4 "new"	flasque fou SM3/SM4 "new"
35 ruota folle SM3/SM4 "new" SET	idle wheel SM3/SM4 "new" SET	galet fou SM3/SM4 "new" SET
36 tampone DMT3/DMT4 "new" SET	buffer DMT3/DMT4 "new" SET	butee DMT3/DMT4 "new" SET
37 tiranti DMT3/DMT4 "new"	staybolts DMT3/DMT4 "new"	tirants DMT3/DMT4 "new"
38 motoriduttore	motoreducer	motoreducteur
39 piastra motrice EM	propeller plate EM	flasque motrice EM
40 riduttore	reducer	reducteur
41 giunto	joint	broche de connexion
42 motore	motor	moteur
43 coperchio motore	motor cover	couvercle moteur
44 ceppo freno	brake shoe	sabot the frein
45 ruota motrice SET	drive wheel SET	galet moteur SET
46 motoriduttore EM3/EM4 "new"	motoreducer EM3/EM4 "new"	motoreducteur EM3/EM4 "new"
47 piastra motrice EM3/EM4 "new"	propeller plate EM3/EM4 "new"	flasque motrice EM3/EM4 "new"
48 riduttore EM3/EM4 "new"	reducer EM3/EM4 "new"	reducteur EM3/EM4 "new"
49 ruota motrice EM3/EM4 "new" SET	drive wheel EM3/EM4 "new" SET	galet moteur EM3/EM4 "new" SET
50 assieme piastra motrice CM	propeller plate CM assembly	ensemble flasque motrice CM
51 catena di manovra	monoeuvre chain	chain de manoeuvre
52 gruppo volante CM	chain wheel group CM	ensemble volant de manoeuvre CM
53 assieme piastra motrice CM3/CM4 "new"	propeller plate CM3/CM4 assembly "new"	ensemble flasque motrice CM3/CM4 "new"
54 gruppo volante CM3/CM4 "new"	chain wheel group CM3/CM4 "new"	ensemble volant de manoeuvre CM3/CM4 "new"
55 staffa gancio SET	suspension hook SET	crochet SET
56 staffa climbing	"climbing" stirrup	etrier "climbing"
57 staffa uscita orizzontale	horizontal stirrup	etrier horizontal
58 raccogli catena climbing	"climbing" chain box	bac a chaîne "climbing"
59 kit finecorsa salita/discesa	kit up/down limit switch	kit fin de course montee/descent
60 gruppo ventilazione	ventilation group	groupe ventilation
61 finecorsa carrello	trolley limit switch	chariot fin de course
62 braccio di traino	towing arm	bras d'entrainement
63 staffa di adattamento	adaption stirrup	etrier d'adaptation

Pos.	Codice	Q.tà	DMK 1					DMK 2					DMK 3					DMK 4										
			154C	132D	134C	112D	232C	234C	234D	214C	214D	332C	334C	334D	314C	314D	432C	434C	434D	414C	414D	434L.I	424D.I	434L.J	424D.J	424L.J	454D.J	424L.K
1	DMK1B04C0	1	•		•																							
	DMK1B02D0	1		•		•																						
	M30AK20000	1					•																					
	M30AK40000	1						•			•																	
	M30AK50050	1								•		•																
	M40AK20000	1									•																	
	M40AK40000	1										•			•													
	M40AK50050	1											•															
	M50AK20000	1														•												
	M50AK40000	1															•			•								
	M50AK50051	1																						•		•		•
	M50AK50050	1																•				•				•		
	M50AK40050	1																				•		•		•		•
	2	DMK1B0R52	1	•																								
DMK1B0R32		1		•	•																							
DMK1B0R12		1				•																						
DMK2B0R32		1					•	•	•																			
DMK2B0R12		1								•	•																	
DMK3B0R31		1									•	•	•															
DMK3B0R11		1											•	•														
DMK4B0R31		1														•	•	•										
DMK4B0R11		1																•	•									
DMK4B0R35		1																				•		•				
DMK4B0R25		1																					•	•	•		•	
DMK4B0R55		1																									•	
3	DMK11S030	1	•	•	•	•																						
	DMK21S030	1					•	•	•	•	•																	
	DMK31S030	1									•	•	•	•	•													
	DMK41S030	1														•	•	•	•	•								
	DMK41S160	1																				•	•	•	•	•	•	
	3	DMK11S040	1	•	•	•	•																					
DMK21S040		1					•	•	•	•	•																	
DMK31S040		1									•	•	•	•	•													
DMK41S040		1														•	•	•	•	•								
DMK41S170		1																				•	•	•	•	•	•	
3		DMK11S050	1	•	•	•	•																					
	DMK21S050	1					•	•	•	•	•																	
	DMK31S050	1									•	•	•	•	•													
	DMK41S050	1														•	•	•	•	•								
	DMK41S180	1																				•	•	•	•	•	•	
	4	DMK4B0L30	1																			•	•					
DMK4B0L20		1																				•	•	•	•			
DMK4B0L10		1																								•	•	
5	DMK1B0S10	1	•	•	•	•																						
	DMK2B0S10	1					•	•	•	•	•																	
	DMK3B0S10	1									•	•	•	•	•													
	DMK4B0S10	1														•	•	•	•	•								
	DMK4B0S20	1																				•	•	•	•	•	•	
3	DMK2A0C00	1	•	•	•	•																						
	DMK2A0D00	1					•	•	•	•	•																	
	DMK2A0E00	1										•	•	•	•	•												
	DMK2A0G00	1														•	•	•	•	•								
	DMK2A0H00	1																				•	•	•	•	•	•	

Pos.	Codice	Q.tà	DMK 1				DMK 2					DMK 3					DMK 4																									
			154C	132D	134C	112D	232C	234C	234D	214C	214D	332C	334C	334D	314C	314D	432C	434C	434D	414C	414D	434L.I	424D.I	434L.J	424D.J	424L.J	454D.J	424L.K	454D.K													
6 4m.	DMK2A0C00	1	•	•	•	•																																				
	DMK2A0D00	1					•	•	•	•	•																															
	DMK2A0F00	1									•	•	•	•	•																											
6 4m.	DMK2A0G00	1													•	•	•	•	•																							
	DMK2A0I00	1																			•	•	•	•	•	•	•	•	•	•	•	•	•	•	•	•	•	•	•	•		
5 mt.	DMK2A0C00	1	•	•	•	•																																				
	DMK2A0E00	1					•	•	•	•	•																															
	DMK2A0F00	1									•	•	•	•	•																											
	DMK2A0H00	1														•	•	•	•	•																						
	DMK2A0I00	1																			•	•	•	•	•	•	•	•	•	•	•	•	•	•	•	•	•	•	•	•		
6 mt.	DMK2A0D00	1	•	•	•	•																																				
	DMK2A0E00	1					•	•	•	•	•																															
	DMK2A0G00	1									•	•	•	•	•																											
	DMK2A0H00	1														•	•	•	•	•																						
	DMK2A0I00	1																			•	•	•	•	•	•	•	•	•	•	•	•	•	•	•	•	•	•	•	•	•	
8 mt.	DMK2A0D00	1	•	•	•	•																																				
	DMK2A0F00	1					•	•	•	•	•																															
	DMK2A0G00	1									•	•	•	•	•																											
	DMK2A0H00	1														•	•	•	•	•																						
	DMK4A0L00	1																			•	•	•	•	•	•	•	•	•	•	•	•	•	•	•	•	•	•	•	•	•	
10 mt.	DMK2A0E00	1	•	•	•	•																																				
	DMK2A0F00	1					•	•	•	•	•																															
	DMK2A0G00	1									•	•	•	•	•																											
	DMK2A0I00	1														•	•	•	•	•																						

Pos.	Codice	Q.ta	DMK 1					DMK 2					DMK 3					DMK 4												
			154C	132D	134C	112D	232C	234C	234D	214C	214D	332C	334C	334D	314C	314D	432C	434C	434D	414C	414D	434L.I	424D.I	434L.J	424D.J	424L.J	454D.J	424L.K	454D.K	
7	DMK1B0MC1	1	●		●		●	●		●	●		●		●	●														
	DMK1B0MC2	1		●		●							●				●		●					●			●			
	DMK4B0MC1	1																			●		●			●				
8	1S. Hoist	DMK1B0E11	1	●		●		●	●		●		●		●	●														
		DMK3B0E10	1													●	●			●										
		DMK4B0E10	1																		●		●			●				
		2S. Hoist	DMK1B0E21	1		●		●				●		●																
		DMK3B0E20	1														●		●		●		●		●		●			
9	1S. H.	DMK1B0E30	1	●		●		●	●		●		●		●	●														
	1S. T.	DMK3B0E30	1												●	●			●											
		DMK4B0E30	1																		●		●		●		●			
	2S. H.	DMK1B0E40	1		●		●				●		●																	
	1S. T.	DMK3B0E40	1														●		●		●		●		●		●			
	2S. H.	DMK1B0E50	1		●		●				●		●																	
	2S. T.	DMK3B0E50	1														●		●		●		●		●		●			
	1S. H.	DMK1B0E60	1	●		●		●	●		●		●		●	●														
	2S. T.	DMK3B0E60	1												●	●			●											
	DMK4B0E60	1																		●		●		●		●				
10	1 Speed hoist	2 mt.	DMK1C02B1	1	●		●		●	●		●		●	●			●		●		●		●		●		●		
		3 mt.	DMK1C03B1	1	●		●		●	●		●		●	●			●		●		●		●		●		●		
		4 mt.	DMK1C04B1	1	●		●		●	●		●		●	●			●		●		●		●		●		●		
		5 mt.	DMK1C05B1	1	●		●		●	●		●		●	●			●		●		●		●		●		●		
		7 mt.	DMK1C07B1	1	●		●		●	●		●		●	●			●		●		●		●		●		●		
		9 mt.	DMK1C0XB1	1	●		●		●	●		●		●	●			●		●		●		●		●		●		
		2 Speed hoist	2 mt.	DMK1C02B2	1		●		●			●		●		●							●		●		●		●	
			3 mt.	DMK1C03B2	1		●		●			●		●		●							●		●		●		●	
			4 mt.	DMK1C04B2	1		●		●			●		●		●							●		●		●		●	
	5 mt.		DMK1C05B2	1		●		●			●		●		●								●		●		●		●	
	7 mt.		DMK1C07B2	1		●		●			●		●		●								●		●		●		●	
	9 mt.		DMK1C0XB2	1		●		●			●		●		●								●		●		●		●	
	1 Speed hoist 1 Speed trolley		2 mt.	DMK1C02B3	1	●		●		●	●		●		●	●			●		●		●		●		●		●	
			3 mt.	DMK1C03B3	1	●		●		●	●		●		●	●			●		●		●		●		●		●	
			4 mt.	DMK1C04B3	1	●		●		●	●		●		●	●			●		●		●		●		●		●	
		5 mt.	DMK1C05B3	1	●		●		●	●		●		●	●			●		●		●		●		●		●		
		7 mt.	DMK1C07B3	1	●		●		●	●		●		●	●			●		●		●		●		●		●		
		9 mt.	DMK1C0XB3	1	●		●		●	●		●		●	●			●		●		●		●		●		●		
		2 Speed hoist 1 Speed trolley	2 mt.	DMK1C02B4	1		●		●			●		●		●							●		●		●		●	
			3 mt.	DMK1C03B4	1		●		●			●		●		●							●		●		●		●	
			4 mt.	DMK1C04B4	1		●		●			●		●		●							●		●		●		●	
	5 mt.		DMK1C05B4	1		●		●			●		●		●								●		●		●		●	
	7 mt.		DMK1C07B4	1		●		●			●		●		●								●		●		●		●	
	9 mt.		DMK1C0XB4	1		●		●			●		●		●								●		●		●		●	
	2 Speed hoist 2 Speed trolley		2 mt.	DMK1C02B5	1		●		●			●		●		●								●		●		●		●
			3 mt.	DMK1C03B5	1		●		●			●		●		●								●		●		●		●
			4 mt.	DMK1C04B5	1		●		●			●		●		●								●		●		●		●
		5 mt.	DMK1C05B5	1		●		●			●		●		●								●		●		●		●	
		7 mt.	DMK1C07B5	1		●		●			●		●		●								●		●		●		●	
		9 mt.	DMK1C0XB5	1		●		●			●		●		●								●		●		●		●	
		1 Speed hoist 2 Speed trolley	2 mt.	DMK1C02B6	1	●		●		●	●		●		●	●			●		●		●		●		●		●	
			3 mt.	DMK1C03B6	1	●		●		●	●		●		●	●			●		●		●		●		●		●	
			4 mt.	DMK1C04B6	1	●		●		●	●		●		●	●			●		●		●		●		●		●	
	5 mt.		DMK1C05B6	1	●		●		●	●		●		●	●			●		●		●		●		●		●		
	7 mt.		DMK1C07B6	1	●		●		●	●		●		●	●			●		●		●		●		●		●		
	9 mt.		DMK1C0XB6	1	●		●		●	●		●		●	●			●		●		●		●		●		●		

Pos.	Codice	Q.tà	DMK 1				DMK 2					DMK 3					DMK 4												
			154C	132D	134C	112D	232C	234C	234D	214C	214D	332C	334C	334D	314C	314D	432C	434C	434D	414C	414D	434L.I	424D.I	434L.J	424D.J	424L.J	454D.J	424L.K	454D.K
11	DMK120220	1	•	•	•	•																							
	M2001S010	1					•	•	•	•	•																		
	M3001S010	1									•	•	•	•	•														
	M5001S010	1														•	•	•	•	•	•	•	•	•	•	•	•	•	•
12	DMK11S080	1	•	•	•	•																							
	M2001S020	1					•	•	•	•	•																		
	M3001S020	1									•	•	•	•	•														
	M5001S020	1														•	•	•	•	•	•	•	•	•	•	•	•	•	•
13	DMK11S100	1	•	•	•	•																							
	DMK21S100	1					•	•	•	•	•																		
	DMK31S100	1									•	•	•	•	•														
	DMK41S100	1														•	•	•	•	•									
	DMK41S140	1																			•	•	•	•	•	•	•	•	•
14	DMK11S020	1	•	•	•	•																							
	DMK21S020	1					•	•	•	•	•																		
	DMK31S020	1									•	•	•	•	•														
	DMK41S020	1														•	•	•	•	•	•	•	•	•	•	•	•	•	•
15	DMK11S010	1	•	•	•	•																							
	DMK21S010	1					•	•	•	•	•																		
	DMK31S010	1									•	•	•	•	•														
	DMK41S010	1														•	•	•	•	•	•	•	•	•	•	•	•	•	•
16	DMK110010	1	•	•	•	•																							
	DMK210010	1					•	•	•	•	•																		
	DMK310010	1									•	•	•	•	•														
	DMK410010	1														•	•	•	•	•	•	•	•	•	•	•	•	•	•
17	DMK150042	1	•	•	•	•																							
	DMK250042	1					•	•	•	•	•																		
	DMK350042	1									•	•	•	•	•														
	DMK450042	1														•	•	•	•	•	•	•	•	•	•	•	•	•	•
18	DMK11S060	1		•	•	•																							
	DMK11S070	1	•																										
	DMK21S060	1					•	•	•	•	•																		
	DMK31S060	1									•	•	•	•	•														
	DMK41S060	1																	•	•									
	DMK41S070	1														•	•	•											
19	DMK160021	1	•	•	•	•																							
	DMK260021	1					•	•	•	•	•																		
	DMK350021	1									•	•	•	•	•														
	DMK450021	1														•	•	•	•	•									
	DMK450025	1																			•	•	•	•	•	•	•	•	•
20	DMK160030	1	•	•	•	•																							
	DMK260030	1					•	•	•	•	•																		
	DMK360030	1									•	•	•	•	•														
	DMK460030	1														•	•	•	•	•	•	•	•	•	•	•	•	•	•
21	DMK11S120	1	•	•	•	•																							
	DMK21S120	1					•	•	•	•	•																		
	DMK31S120	1									•	•	•	•	•														
	DMK41S120	1														•	•	•	•	•	•	•	•	•	•	•	•	•	•
22	DMK11S090	1	•	•	•	•																							
	DMK21S090	1					•	•	•	•	•																		
	DMK31S090	1									•	•	•	•	•														
	DMK41S090	1														•	•	•	•	•									
	DMK41S190	1																			•	•	•	•	•	•	•	•	•

Pos.	Codice	Q.tà	DMK 1				DMK 2					DMK 3					DMK 4																		
			154C	132D	134C	112D	232C	234C	234D	214C	214D	332C	334C	334D	314C	314D	432C	434C	434D	414C	414D	434L.I	424D.I	434L.J	424D.J	424L.J	454D.J	424L.K	454D.K						
23	DMK11S200	1	•	•	•	•																													
	DMK21S200	1					•	•	•	•	•																								
	DMK31S200	1									•	•	•	•	•																				
	DMK41S200	1														•	•	•	•	•															
24	DMK11S210	1	•	•	•	•																													
	DMK21S210	1					•	•	•	•	•																								
	DMK31S210	1									•	•	•	•	•																				
	DMK41S210	1														•	•	•	•	•	•	•	•	•	•	•	•	•	•	•	•	•	•		
25	DMK11S130	1	•	•	•	•																													
	DMK21S130	1					•	•	•	•	•																								
	DMK31S130	1									•	•	•	•	•																				
	DMK41S130	1														•	•	•	•	•	•	•	•	•	•	•	•	•	•	•	•	•	•		
26	DRH1A0C20	1																			•	•													
	DRH1A0C10	1																				•	•	•	•	•	•	•	•	•	•	•	•		
27	DMK11S140	1	•	•	•	•																													
	DMK11S140	1					•	•	•	•	•																								
	DMK11S140	1									•	•	•	•	•																				
	DMK11S150	1														•	•	•	•	•	•	•	•	•	•	•	•	•	•	•	•	•	•	•	
28	DMK11S150	1	•	•	•	•																													
	DMK11S150	1					•	•	•	•	•																								
	DMK11S150	1									•	•	•	•	•																				
	DMK11S150	1														•	•	•	•	•	•	•	•	•	•	•	•	•	•	•	•	•	•	•	

Pos.	Codice	Q.tà	Push Trolley				Mechanical Trolley			Electric Trolley					
			SM2	SM3	SM4	SM5	CM3	CM4	CM5	EM3		EM4		EM5	
			DMK 1-2	DMK 3	DMK 4	DMK 4 2t.	DMK 1-2-3	DMK 4	DMK 4 2t.	DMK1-2-3		DMK4		DMK4 2t.	
								1S.H-1S.T	2S.H-2S.T	1S.H-1S.T	2S.H-2S.T	1S.H-1S.T	2S.H-2S.T		
29	DMT2S0000	2	•												
	DMT3S0000	2		•											
	DMT4S0000	2			•										
	DMT5S0000	2				•									
30	DMT21S010	1	•												
	DMT31S050	1		•											
	DMT41S050	1			•										
	DMT51S010	1				•									
31	DMT21S020	1	•												
	DMT31S070	1		•											
	DMT41S070	1			•										
32	DMT21S030	1	•	•	•										
	DMT51S030	1		•		•									
33	Gr. 1	DMT2S0001	1	•											
	Gr. 2	DMT2S0002	1	•											
	Gr. 3	DMT2S0003	1	•											
	Gr. 4	DMT2S0004	1	•											
	Gr. 1	DMT3E1000	1		•										
	Gr. 2	DMT3E2000	1		•										
	Gr. 3	DMT3E3000	1		•										
	Gr. 4	DMT3E4000	1		•										
	Gr. 1	DMT4E1000	1			•									
	Gr. 2	DMT4E2000	1			•									
	Gr. 3	DMT4E3000	1			•									
	34	Gr. 1	DMT5E1000	1			•								
Gr. 2		DMT5E2000	1			•									
Gr. 3		DMT5E3000	1			•									
35	DMT3B0S00	2		•											
	DMT4B0S00	2			•										
36	DMT31S010	1		•											
	DMT41S010	1			•										
37	DMT31S030	1		•	•										
	Gr. 1	DMT3B0T10	1		•										
	Gr. 2	DMT3B0T20	1		•										
	Gr. 3	DMT3B0T30	1		•										
	Gr. 1	DMT4B0T10	1			•									
	Gr. 2	DMT4B0T20	1			•									
38	Gr. 3	DMT4B0T30	1		•										
	11 m/min	DMT3A0M10	1												
	14 m/min	DMT3A0M20	1												
	22 m/min	DMT3A0M30	1												
	7-22 m/min	DMT3A0M40	1												
	11 m/min	DMT4A0M10	1												
	14 m/min	DMT4A0M20	1												
	22 m/min	DMT4A0M30	1												
	7-22 m/min	DMT4A0M40	1												
	11 m/min	DMT5A0M10	1												
14 m/min	DMT5A0M20	1													

Pos.		Codice	Q.tà	Push Trolley				Mechanical Trolley			Electric Trolley									
				SM2	SM3	SM4	SM5	CM3	CM4	CM5	EM3		EM4		EM5					
				DMK 1-2	DMK 3	DMK 4	DMK 4 2t.	DMK 1-2-3	DMK 4	DMK 4 2t.	DMK1-2-3		DMK4		DMK4 2t.					
											1S.H-1S.T	2S.H-2S.T	1S.H-1S.T	2S.H-2S.T	1S.H-1S.T	2S.H-2S.T				
38	22 m/min	DMT5A0M30	1																	
	7-22 m/min	DMT5A0M40	1																	
39		DMT3A0000	1																	
		DMT4A0000	1																	
		DMT5A0000	1																	
40		DMT3A0R10	1																	
		DMT3A0R20	1																	
		DMT4A0R10	1																	
		DMT4A0R20	1																	
		DMT5A0R20	1																	
41		DMT350050	1																	
		DMT550050	1																	
42	11 m/min	DGR1B08S0	1																	
	11 m/min	DGR2B08S0	1																	
	14 m/min	DGR1B06S0	1																	
	14 m/min	DGR2B06S1	1																	
	22 m/min	DGR1B04V0	1																	
	22 m/min	DGR2B04V0	1																	
43		DMK120220	1																	
		DMK220220	1																	
44		DMK11S080	1																	
		DMK21S080	1																	
45		DMT31S060	1																	
		DMT41S060	1																	
		DMT51S020	1																	
46	11 m/min	DMT3B0M10	1																	
	14 m/min	DMT3B0M20	1																	
	22 m/min	DMT3B0M30	1																	
	7-22 m/min	DMT3B0M40	1																	
	11 m/min	DMT4B0M10	1																	
	14 m/min	DMT4B0M20	1																	
	22 m/min	DMT4B0M30	1																	
47		DMT3B0E00	1																	
		DMT4B0E00	1																	
48		DMT3B0R10	1																	
		DMT3B0R20	1																	
49		DMT31S020	1																	
		DMT41S020	1																	
50		DMT3C0VM0	1																	
		DMT4C0VM0	1																	
		DMT5C0VM0	1																	
51		DHH150600	M																	
52		DMT3C0V00	1																	
		DMT4C0V00	1																	
		DMT5C0V00	1																	
53		DMT3B0VM0	1																	
		DMT4B0VM0	1																	
54		DMT3B0V00	1																	
		DMT4B0V00	1																	

Pos.	Codice	Q.tà	DMK 1				DMK 2				DMK 3				DMK 4														
			154C	132D	134C	112D	232C	234C	234D	214C	214D	332C	334C	334D	314C	314D	432C	434C	434D	414C	414D	434L.I	424D.I	434L.J	424D.J	424L.J	454D.J	424L.K	454D.K
55	DMK11S110	1	•	•	•	•																							
	DMK21S110	1					•	•	•	•	•																		
	DMK31S110	1									•	•	•	•	•														
	DMK41S110	1														•	•	•	•	•									
56	DMK1B0CLB	1	•	•	•	•																							
	DMK2B0CLB	1					•	•	•	•	•																		
	DMK3B0CLB	1									•	•	•	•	•														
	DMK4B0CLB	1														•	•	•	•	•									
57	DMK1A0HRT	1	•	•	•	•																							
	DM21A0HRT	1					•	•	•	•	•																		
	DMK3A0HRT	1									•	•	•	•	•														
	DMK4A0HRT	1														•	•	•	•	•									
58	DMK350315	1	•	•	•	•	•	•	•	•	•	•	•	•	•	•	•	•	•	•									
59	DMK1B0FC0	1	•	•	•	•																							
	DMK2B0FC0	1					•	•	•	•	•																		
	DMK3B0FC0	1									•	•	•	•	•														
	DMK4B0FC0	1														•	•	•	•	•	•	•	•	•	•	•	•	•	•
60	DMK1A0VE0	1	•	•	•	•																							
	DMK2A0VE0	1					•	•	•	•	•																		
	DMK3A0VE0	1									•	•	•	•	•														
	DMF0A0VE0	1														•	•	•	•	•	•	•	•	•	•	•	•	•	•

Pos.	Codice	Q.tà	Push Trolley				Mechanical Trolley			Electric Trolley				
			SM2	SM3	SM4	SM5	CM3	CM4	CM5	EM3	EM4	EM5		
			DMK 1-2	DMK 3	DMK 4	DMK 4 2t.	DMK 1-2-3	DMK 4	DMK 4 2t.	DMK1-2-3	DMK4	DMK4 2t.		
								1S.H-1S.T	2S.H-2S.T	1S.H-1S.T	2S.H-2S.T	1S.H-1S.T	2S.H-2S.T	
61	DMT3A00F1	1												
62	DMT2S0TRA	1	•											
	DMT3S0TRA	1		•				•						
	DMT4S0TRA	1			•			•				•	•	
	DMT5S0TRA	1				•				•				•
63	ALA 240-260	DMT3E5000	1		•			•				•	•	
	ALA 280-300	DMT3E6000	1		•			•				•	•	
	ALA 240-260	DMT4E4000	1			•			•				•	•
	ALA280-300	DMT4E5000	1			•			•				•	•
	ALA 400	DMT4E6000	1			•			•				•	•
	ALA 260-300	DMT5E4000	1				•				•			•
	ALA 400	DMT5E5000	1				•				•			•